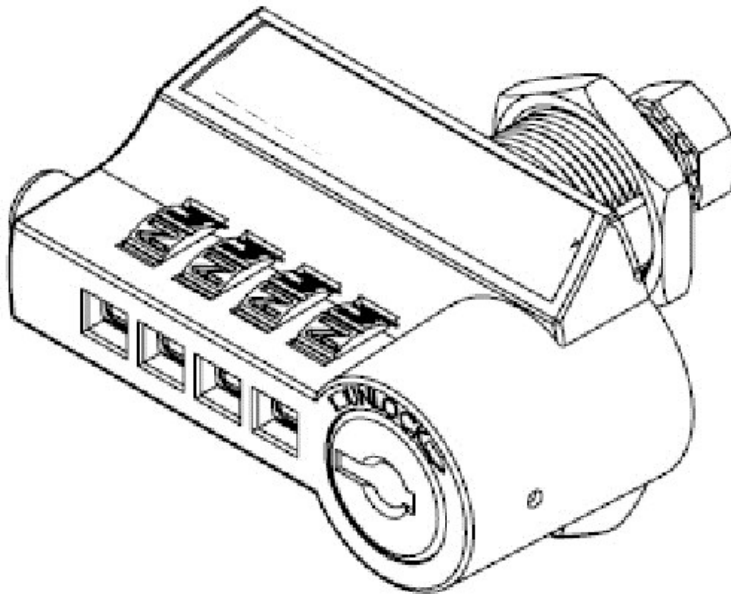


KENDALL HOWARD ®

Assembly Instructions

LINIER® Wall Mount Combination Lock

Part Number: 3200-1-001-00

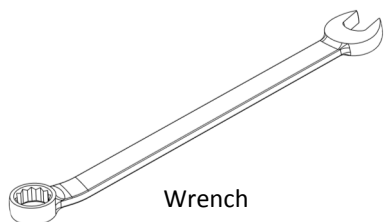


Address: 10152 Liberty Lane
Chisago City, Minnesota, 55013
United States of America

Phone: 651-213-1333
Fax: 800-418-6897

www.kendallhoward.com

Tools needed:

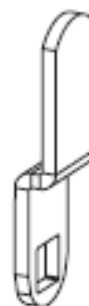


Wrench

Parts you may need (extra)....

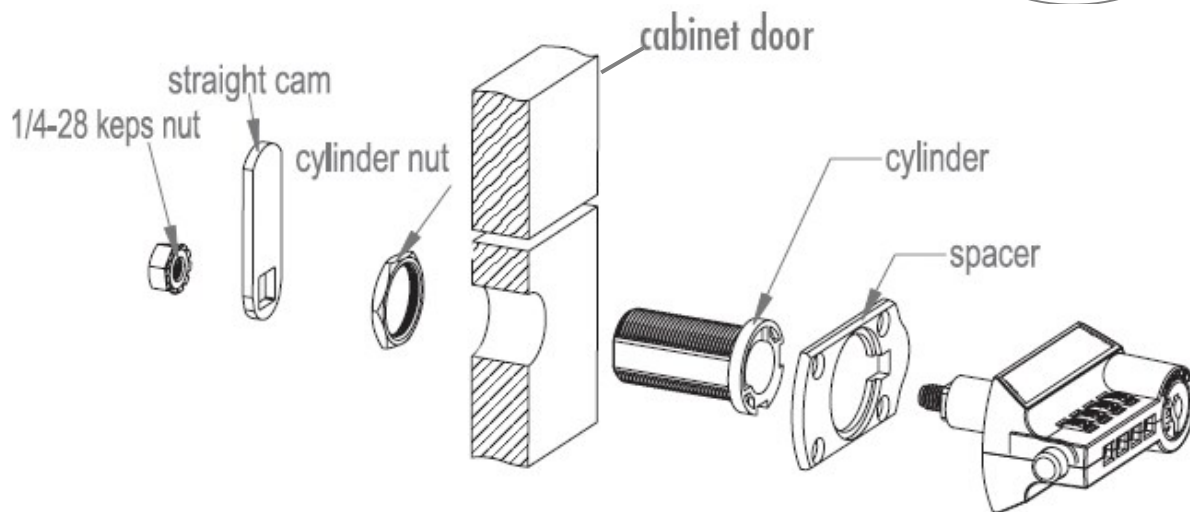
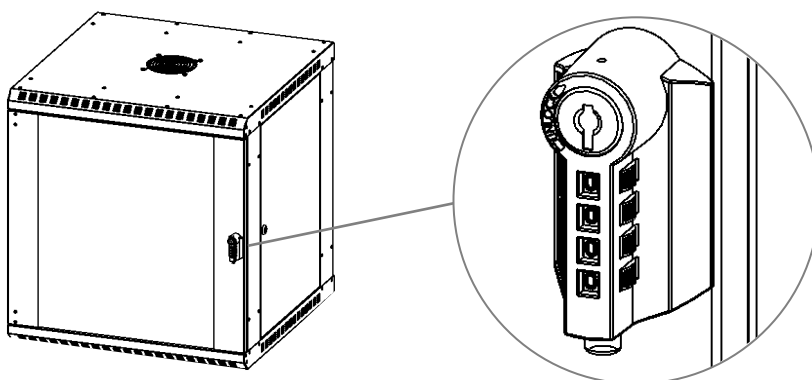


Spur washer and screws are only when the lock is being used in a wood door or drawer



Offset cam included if you are using this lock in a drawer or cabinet other than the LINIER® Wall Mount Cabinets from Kendall Howard

How to install:



Unlock using combination:

- Factory set combination is 0-0-0-0.
- Turn wheels until correct combination appears in the combination windows.
- Press button, rotate housing to unlatch.
- Scramble wheels to lock.

Unlock using key:

- Insert key into lock plug; rotate key 90° clockwise.
- Rotate housing to unlatch.
- Important: Rotate key 90° counterclockwise to lock.

***Change the combination: See next page.**

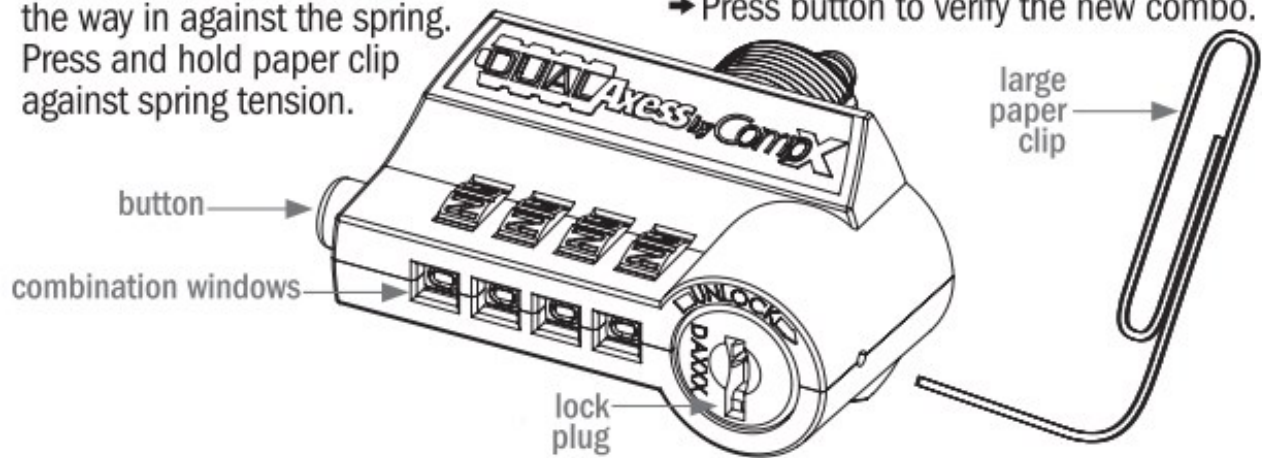
For details about product warranty, please visit www.kendallhoward.com

DISCLAIMER: Kendall Howard LLC. endeavors to make this manual accurate and complete. However, Kendall Howard LLC makes no representations or warranties of any kind, expressed or implied, about whether the use of products contained herein would infringe any rights or the correctness, accuracy or reliability of the information contained herein or that said information covers all details, conditions or variations. The information herein does not provide for every possible contingency in connection with the installation or use of the product(s). The information contained in this document is subject to change without notice or obligation. Kendall Howard LLC assumes no responsibility for the accuracy, completeness or reliability of the information contained in this document. Any reliance placed on the information is therefore strictly at your own risk.

*Change the combination:

Changing the combination:

- Set to correct combination.
(Factory set combination is 0-0-0-0.)
- Insert key and turn 90° clockwise to unlock.
- Remove the key.
- Insert the end of a large paper clip (see diagram).
- Push end of paper clip all the way in against the spring. Press and hold paper clip against spring tension.



- While holding paper clip firmly in place, spin the dials to the new desired code in the combination windows. Remove paper clip, and record the new combo.



- Insert key and turn 90° counterclockwise.
- Remove the key.
- Press button to verify the new combo.