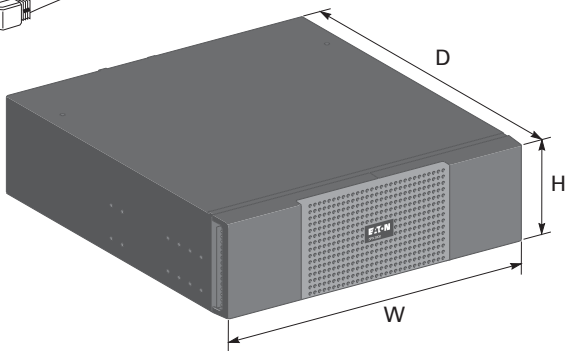
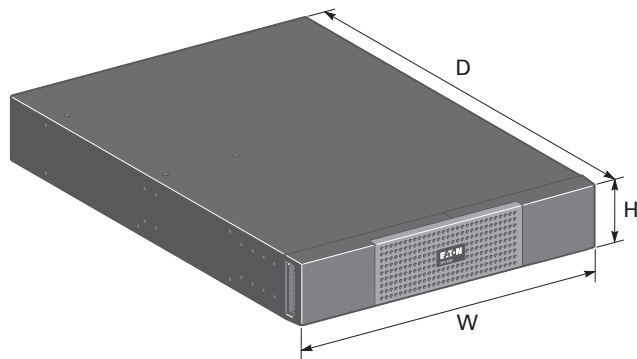


	Weights (kg/lb)	Dimensions (mm/inch) D x W x H
5PX EBM 48V RT2U	72.30 / 32.80	20.6 x 17.4 x 3.4 / 522 x 441.2 x 86.2
5PX EBM 72V RT2U	102.3 / 46.39	25.5 x 17.4 x 3.4 / 647 x 441.2 x 86.2
5PX EBM 72V RT3U	97.6 / 44.26	19.6 x 17.4 x 5.1 / 497 x 441.2 x 130.7



5PX EBM 72V (2U/3U)
Compatible with 5PX 3000 (2U/3U)



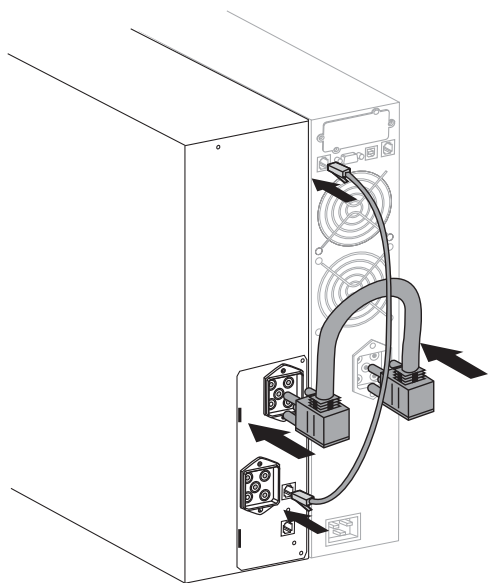
5PX EBM 48V
Compatible with 5PX 1000/1500/2000/2200

EATON 5PX EBM

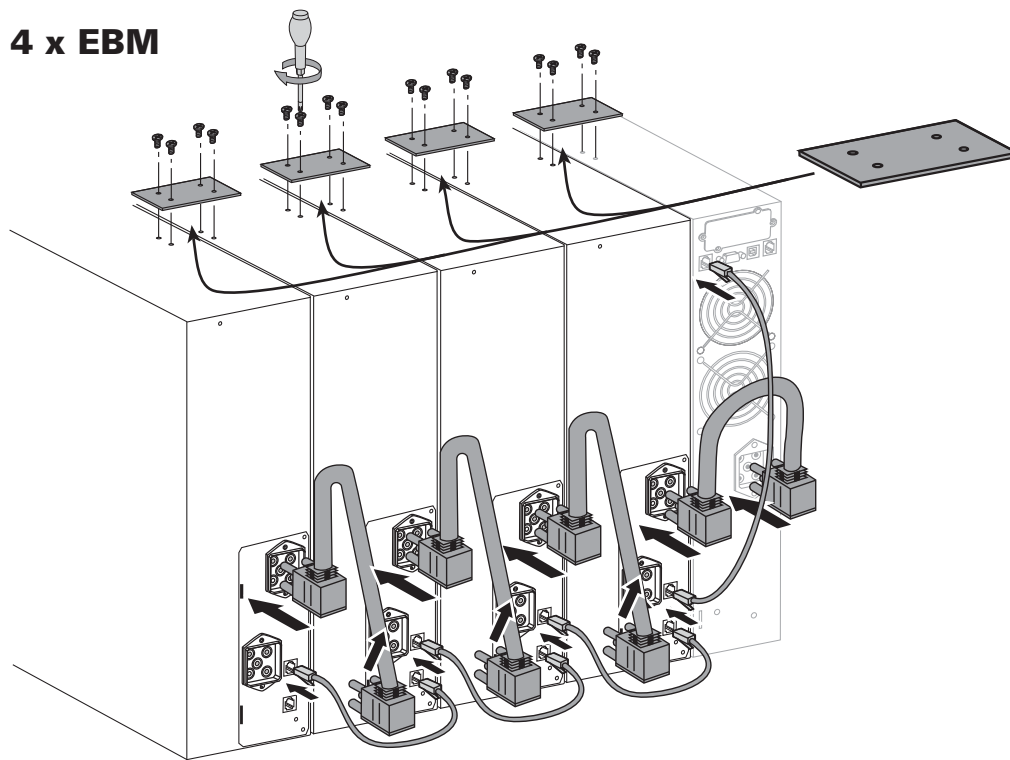
Installation manual

Manuel d'installation

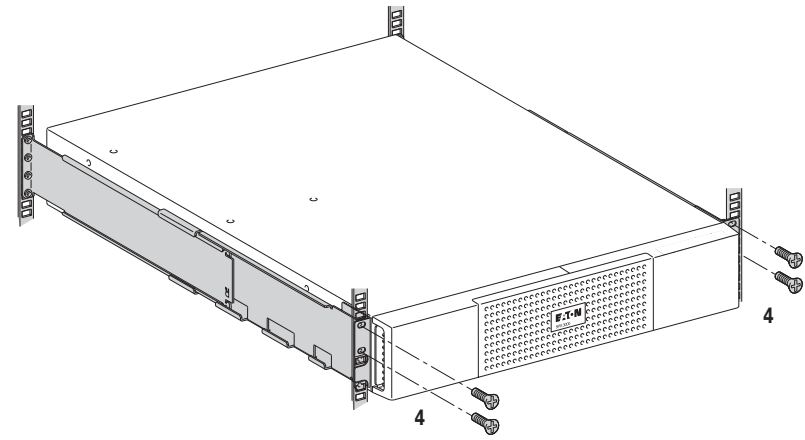
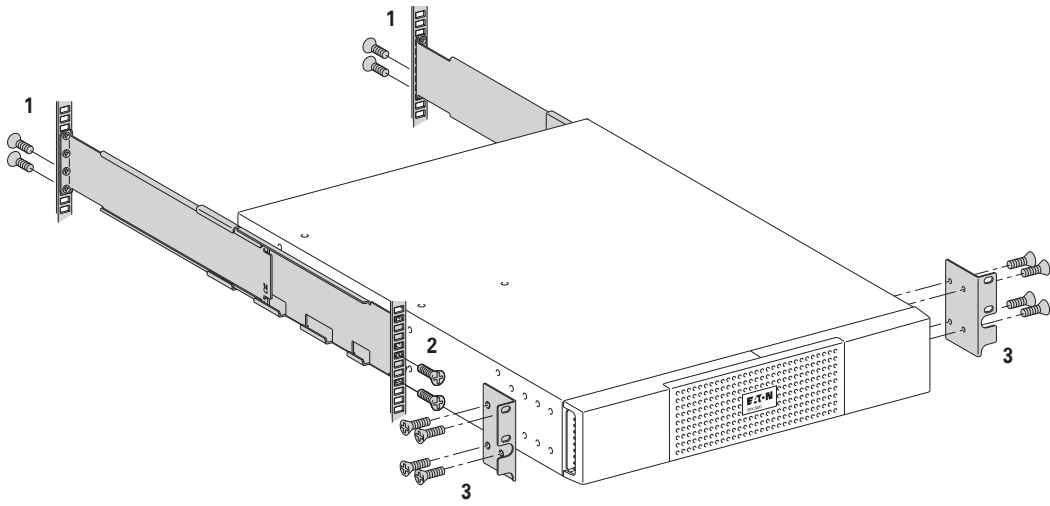
1 x EBM



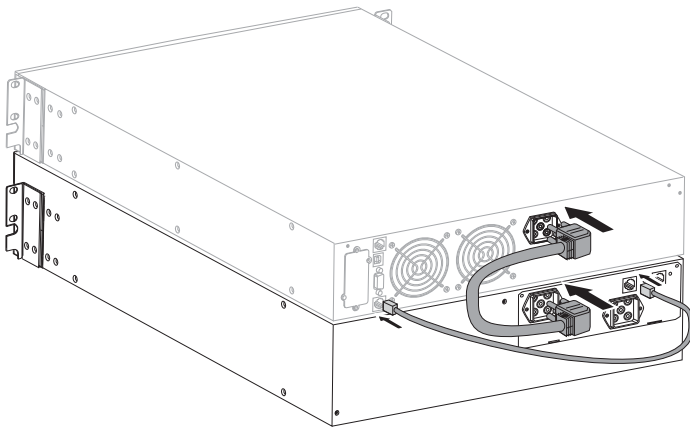
4 x EBM



614-21119-00



1 x EBM



4 x EBM

