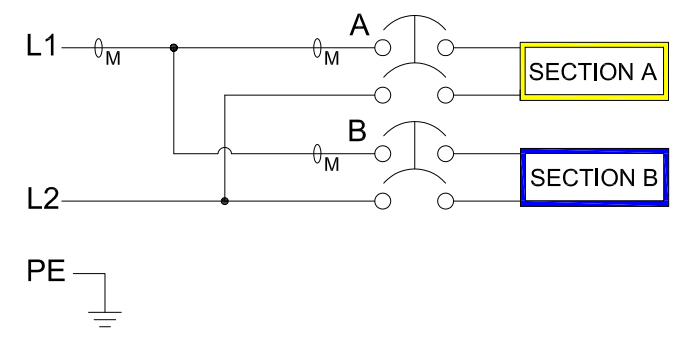


**EMI104-10
G3 METERED INPUT**

FUNCTIONALITY	INPUT	OUTPUT	OPERATING TEMPERATURE
CURRENT, POWER, AND ENERGY METERING FOR INPUT AND BRANCH	NEMA L6-30P 10FT 10AWG / 3C POWERCORD	(36) IEC 60320 C13 GRIP (6) IEC 60320 C19 GRIP	32° TO 140° F 0° TO 60° C
MECHANICAL	INPUT RATING	OUTPUT RATING	CERTIFICATIONS
66.50" (1689mm) LENGTH 2.05" (52mm) WIDTH 2.09" (53mm) DEPTH ALUMINUM CHASSIS, BLACK	200-240V~ W+N+PE 24A 50/60HZ	200-240V~ 15A PER C13 16A PER C19 16A MAX PER SECTION 24A MAX TOTAL	
CIRCUIT BREAKERS	FILTER AND SPIKE/SURGE	ACCESSORIES	CONFIGURATION
(2) 20A 2-POLE LISTED	NONE	INCLUDED SPK012 - INSTALLATION INCLUDED SPK013 - NETWORK OPTIONAL EMP001 - ENVIRONMENTAL PROBE	EMI3MT15JDG78AC



TITLE	ePDU G3 SPECIFICATION EMI104-10	DRAW	Spock Liu 2013-11-20
DWG NO.	B9001-221390-01P	DESIGN	
MATERIAL		CHECKED	Elon Guo 2013-11-20
COATING		SAFETY	
UNITS	in[mm]	APPROVED	Vicky Shen 2013-11-20
SHEET	1/1		