

INTENDED USE

The vertical equipment brackets are intended to mount equipment on rack rails in a vertical orientation. The maximum load per pair of brackets is 75 pounds.

TOOLS REQUIRED

#2 Phillips screwdriver
7/16" Wrench

INSTALLATION

Mounting brackets on 2', 3', or 4' cabinet formed type rails, see Figure 1.

1. Method 1 - Mount brackets to the inside of the rail side flanges using the 1/4-20 bolts and nuts provided.
2. Method 2 - Mount brackets to the front flange of the rail using 12-24 screws (not provided).

Mounting brackets on 5' or 6' cabinet extruded type rails, see Figure 2.

1. Mount brackets to the front or rear flange of the rail using 12-24 screws (not provided).

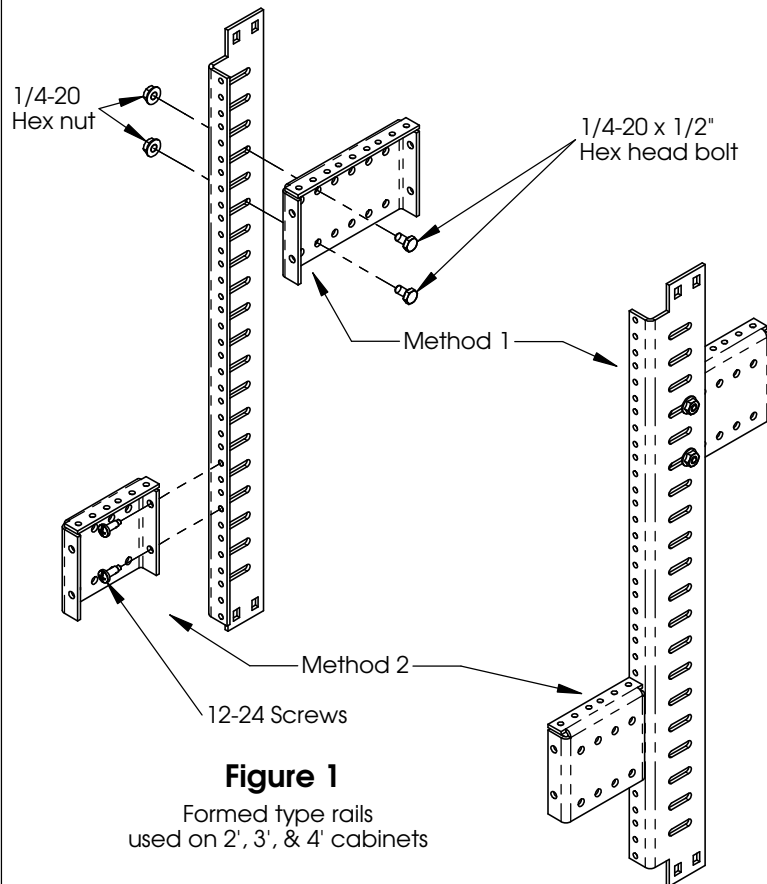


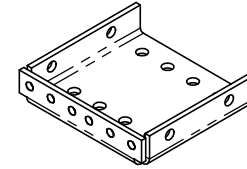
Figure 1

Formed type rails
used on 2', 3', & 4' cabinets

PARTS INCLUDED

SHEET 1

2 RMU Bracket
Qty 2

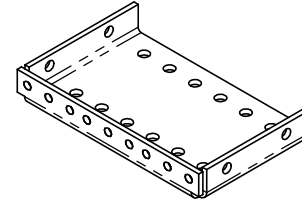


1/4-20 x 1/2"
Hex head bolt
Qty 4



OR

3 RMU Bracket
Qty 2



1/4-20 Hex nut
Qty 4

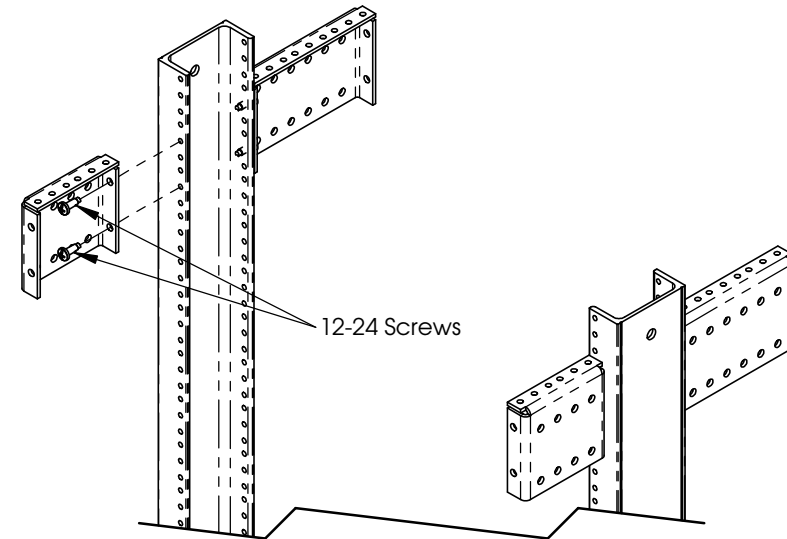


Figure 2

Extruded type rails
used on 5' & 6' cabinets

CPI CHATSWORTH PRODUCTS, INC.

800-834-4969 techsupport@chatsworth.com www.chatsworth.com

INSTALLATION INSTRUCTIONS,
VERTICAL EQUIP BRACKET,
CUBE IT CABINET

THIS DRAWING CONTAINS INFORMATION PROPRIETARY TO CHATSWORTH PRODUCTS, INC. ANY REPRODUCTION DISCLOSURE OR USE OF THIS DRAWING IS EXPRESSLY FORBIDDEN EXCEPT AS AGREED TO IN WRITING BY CHATSWORTH PRODUCTS, INC.