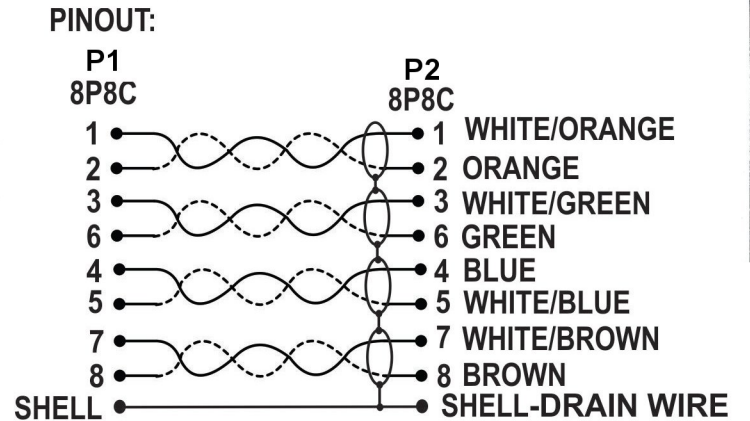
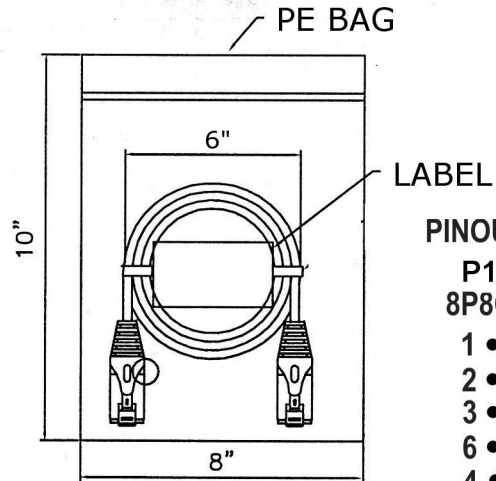
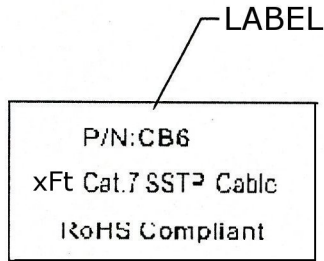
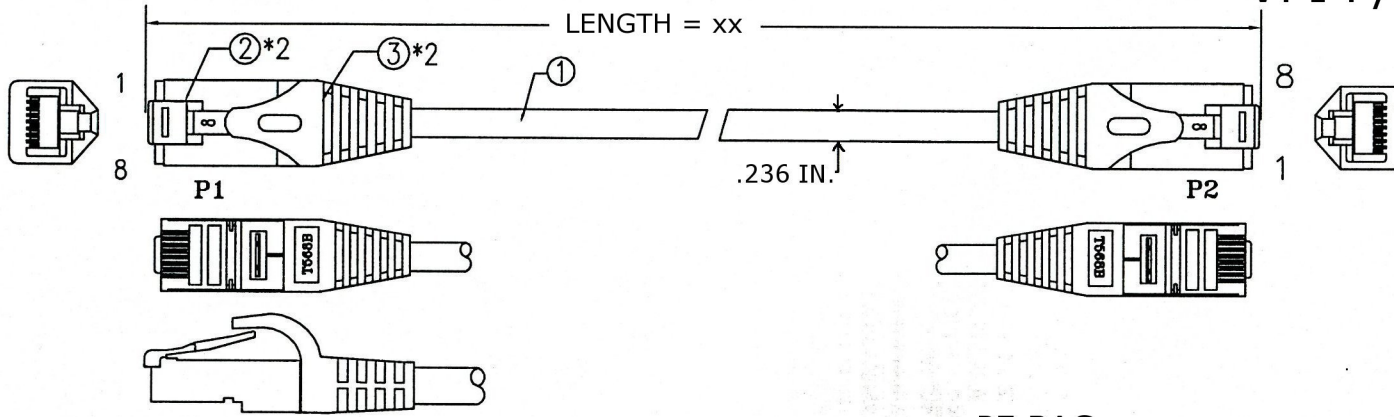


VPI P/N: CAT7-xx-GRAY



NOTE: SHORT AND OPEN 100% TESTING.
 CONDUCTOR RESISTANCE 5Ω
 INSULATION RESISTANCE 20MΩ
 HI-POT:DC250V
 27AWG CONDUCTORS

DIMENSIONS ARE IN INCHES

KVMSwitchesOnline

www.kvm-switches-online.com

3	OUTER JACKET PVC 60Pa GRAY(2001) RoHS
2	RJ45 8P8C PLATED GOLD 50U" SHELL GOLD FLASH 2PIECES
1	CAT.7 SSTP CABLE (27#1P+A)*4+B STRANDED TYPE OD: .236 GRAY(2001) RoHS