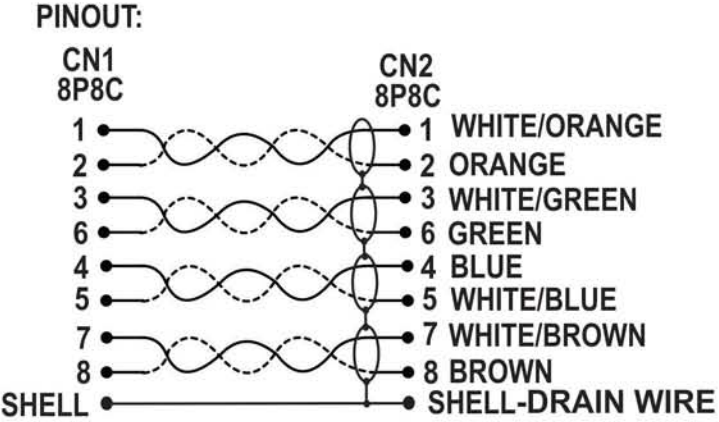
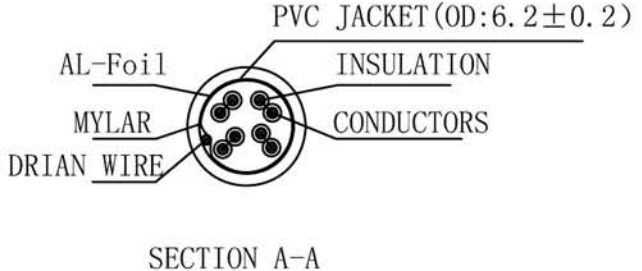
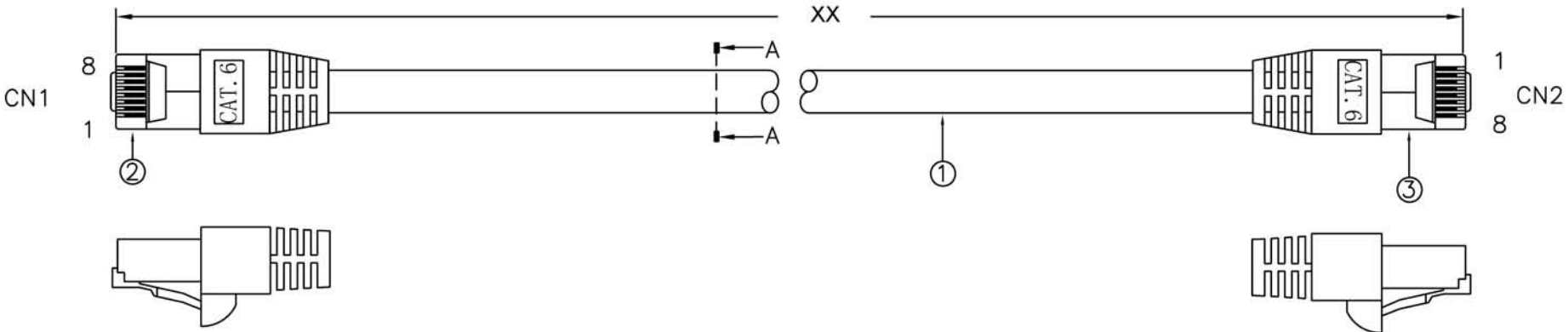


VPI P/N: CAT6-xx-color-SHLD
 (xx= 2,3,5,7,10,14,25,50 or 100 Feet)



- NOTE:**
1. MATERIAL
 - 1.1 CABLE: 24AWG (7/0.18CU)*4PAIR+MYLAR+DRAIN WIRE+AL-Foil+PVC JACKET,
 - 1.2 CONNECTER: RJ45 (8P8C) MALE TYPE, WITH SHIELD;
 INSULATION: CLEAR POLYESTER SHORT BODY,
 CONTACTS: BRASS, G/F
 SHIELD: STEEL, NICKEL PLATED.
 - 1.3 PVC MOLDING: PVC
 - 1.4 ALL COMPONENTS ARE RoHS COMPLIANT.
 2. ELECTRICAL
 - 2.1 100% OPEN AND SHORT TEST