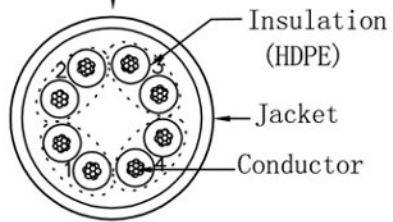
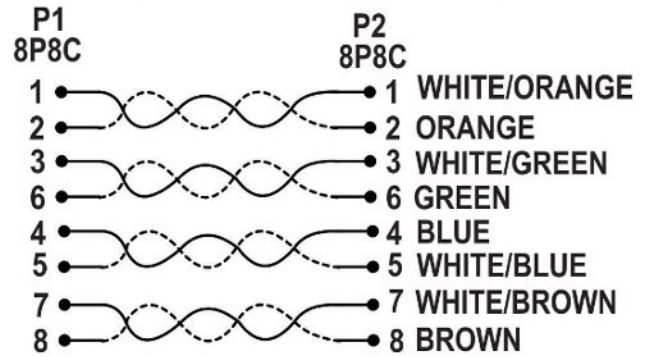


Marking: Video Products Inc CAT.6 UTP ISO/IEC 11801 & EN 50288 & TIA/EIA-568-B.2-1 ETL/3P VERIFIED - 24AWGX4P PATCH TYPE CM (UL) C(UL) CMH E164469-F3 www.vpi.us



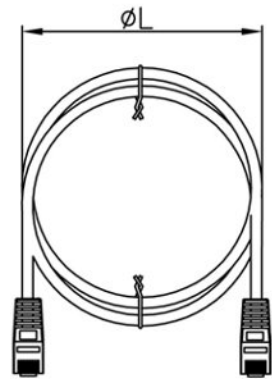
| | |
|--------------|-------------|
| orange 1 | green 2 |
| white/orange | white/green |
| blue 3 | brown 4 |
| white/blue | white/brown |

PINOUT: (TIA/EIA 568B Standard)



| | |
|------------|---|
| Conductor | Bare Copper 24AWG 7/0.196±0.015mm |
| Insulation | Thickness:MIN at any point:0.15mm MAX AVG:0.25mm Diameter: 1.04±0.06mm |
| Jacket | PVC Thickness:MIN at any point:0.48mm MAX AVG:0.58mm Diameter:5.9±0.15mm |

| | |
|------------|-------------------------|
| WIRE | CAT. 6 UTP STR 24AWG*4P |
| PLUG | YU-19 8p8c 50U" |
| Length | XX |
| WIRE COLOR | STANDARD |



Packaging: 1PCS put in a PE bag