

Rittal – The System.

Faster – better – worldwide.



Lüfterblech
Fan mounting plate
Plaque de ventilation
Ventilatoreenheid
Fläktplåt
Unità di ventilazione
Chapa con ventiladores
ファンマウントプレート

DK 5502.010
DK 5502.020
DK 5502.015
DK 5502.025

Montage- und Bedienungsanleitung
Assembly and operating instructions
Notice d'emploi et de montage
Montage- en bedieningshandleiding
Montage- och bruksanvisning
Istruzioni di montaggio
Instrucciones de montaje
取扱説明書

ENCLOSURES

POWER DISTRIBUTION

CLIMATE CONTROL

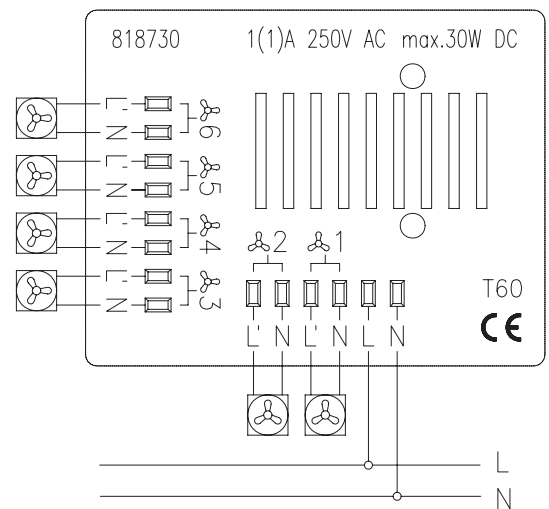
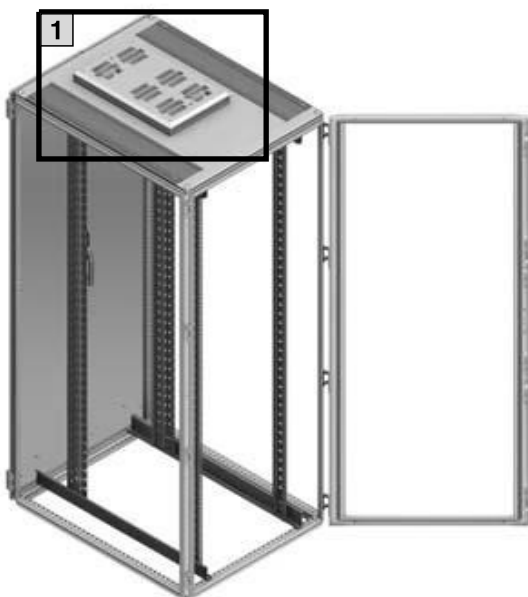
IT INFRASTRUCTURE

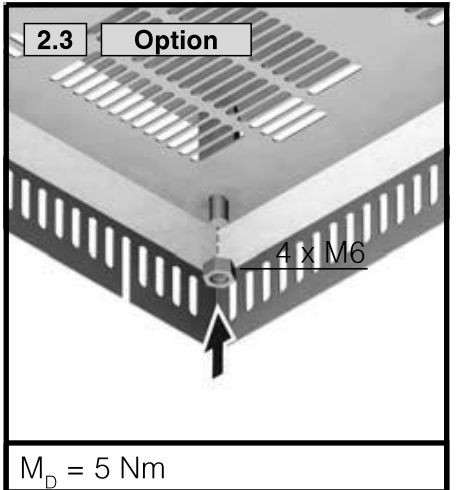
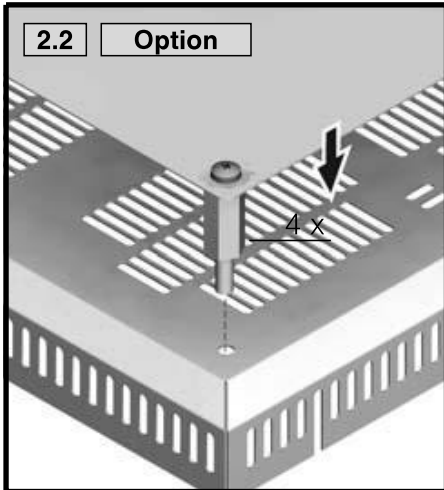
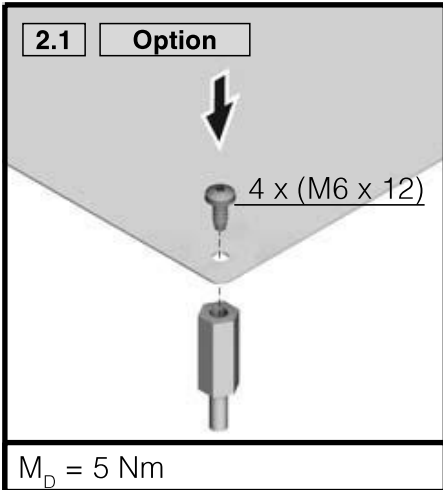
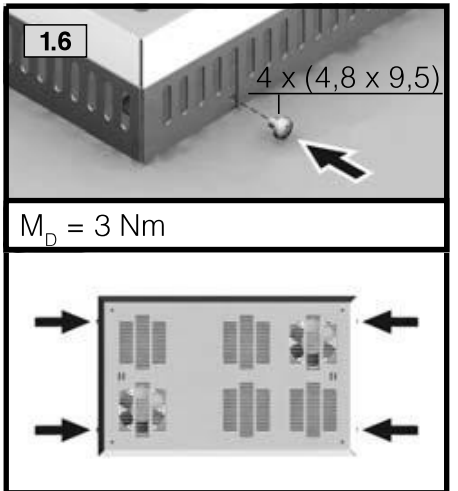
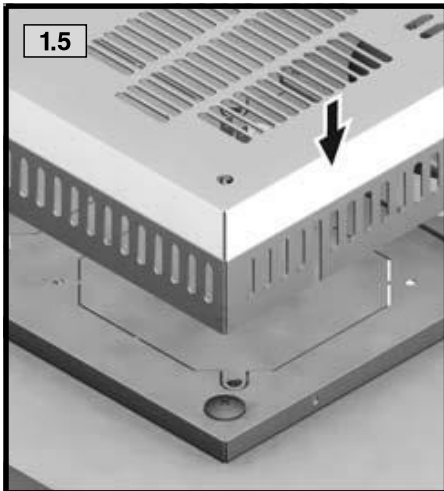
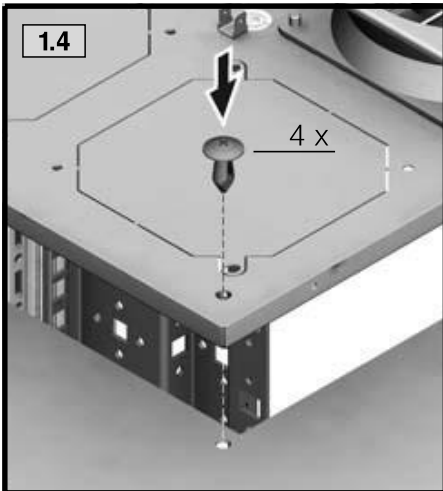
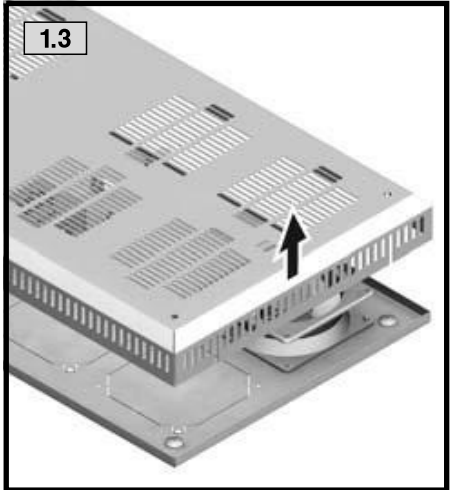
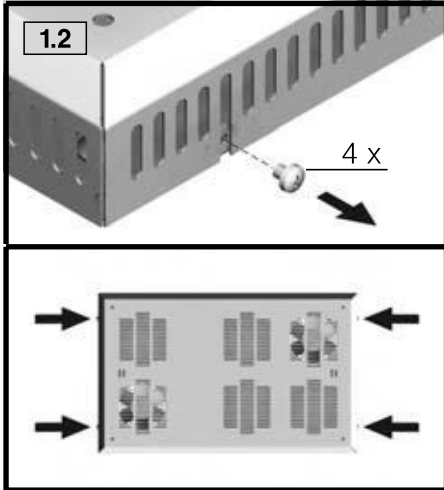
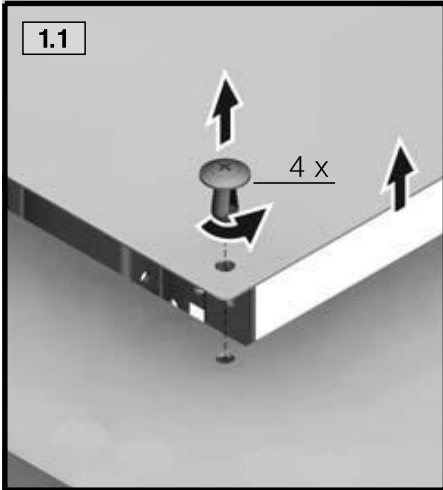
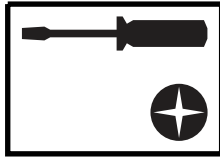
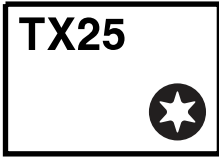
SOFTWARE & SERVICES





		W x D mm		
Best.-Nr. DK Model No. DK Référence DK		RAL 7035	800 x 600, 600 x 1000, 600 x 1200	5502.010
		RAL 9005	800 x 600, 600 x 1000, 600 x 1050, 600 x 1100, 600 x 1200	5502.015
		RAL 7035	800 x 800, 800 x 1000, 800 x 1200	5502.020
		RAL 9005	800 x 800, 800 x 1000, 800 x 1050, 800 x 1100, 800 x 1200	5502.025
				1 x
				4 x
			4,8 x 9,5	4 x
			0,3 m	1 x





Rittal – The System.

Faster – better – worldwide.

- Enclosures
- Power distribution
- Climate control
- IT infrastructure
- Software & services

04.2012/A4535900IT73

RITTAL GmbH & Co. KG
Postfach 1662 · D-35726 Herborn
Phone + 49(0)2772 505-0 · Fax + 49(0)2772 505-2319
E-Mail: info@rittal.de · www.rittal.de

ENCLOSURES

POWER DISTRIBUTION

CLIMATE CONTROL

IT INFRASTRUCTURE

SOFTWARE & SERVICES

