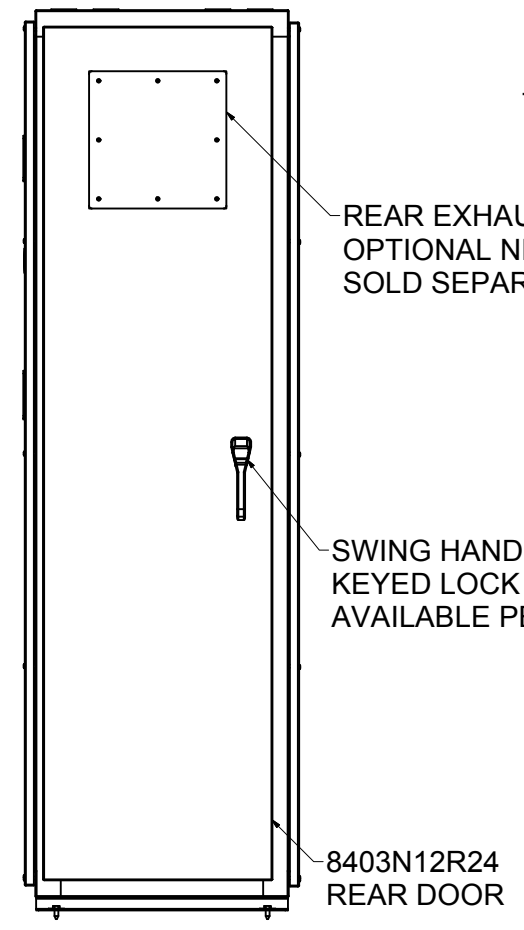
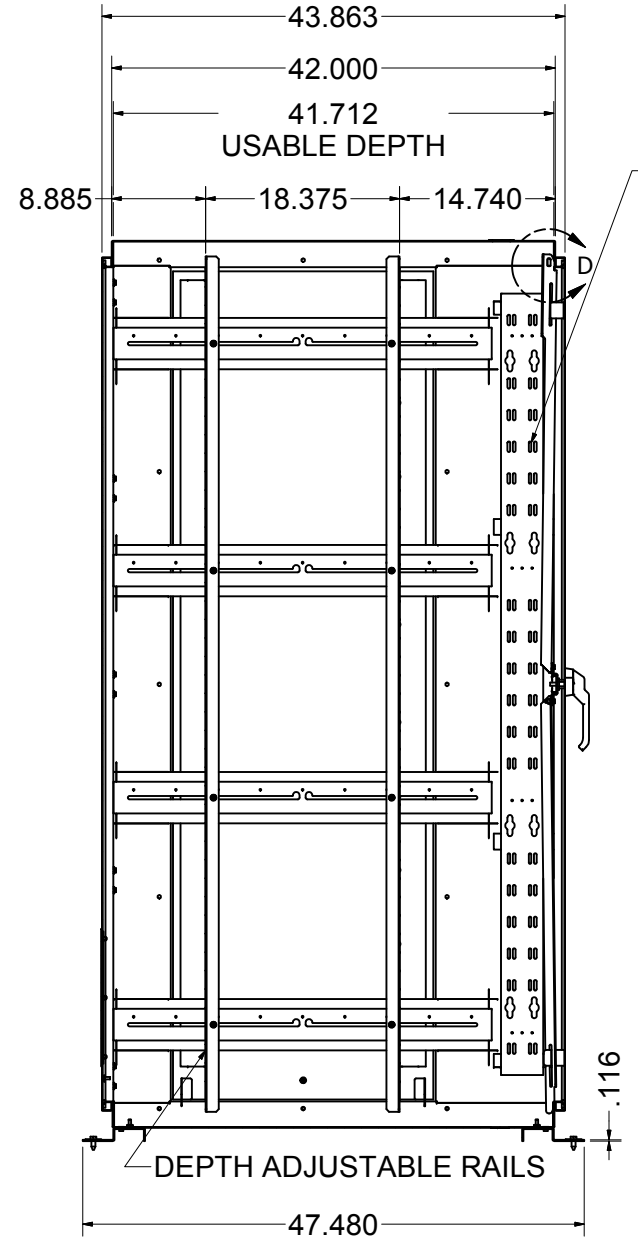
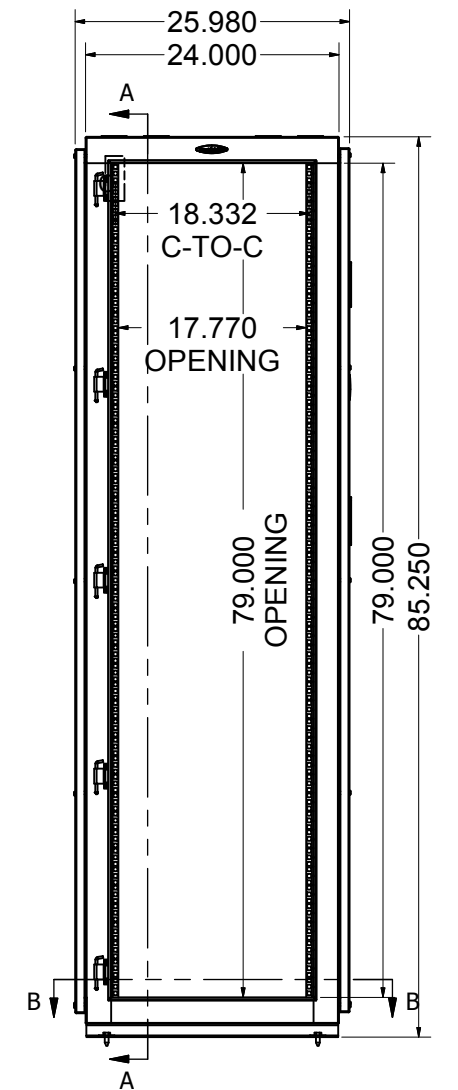
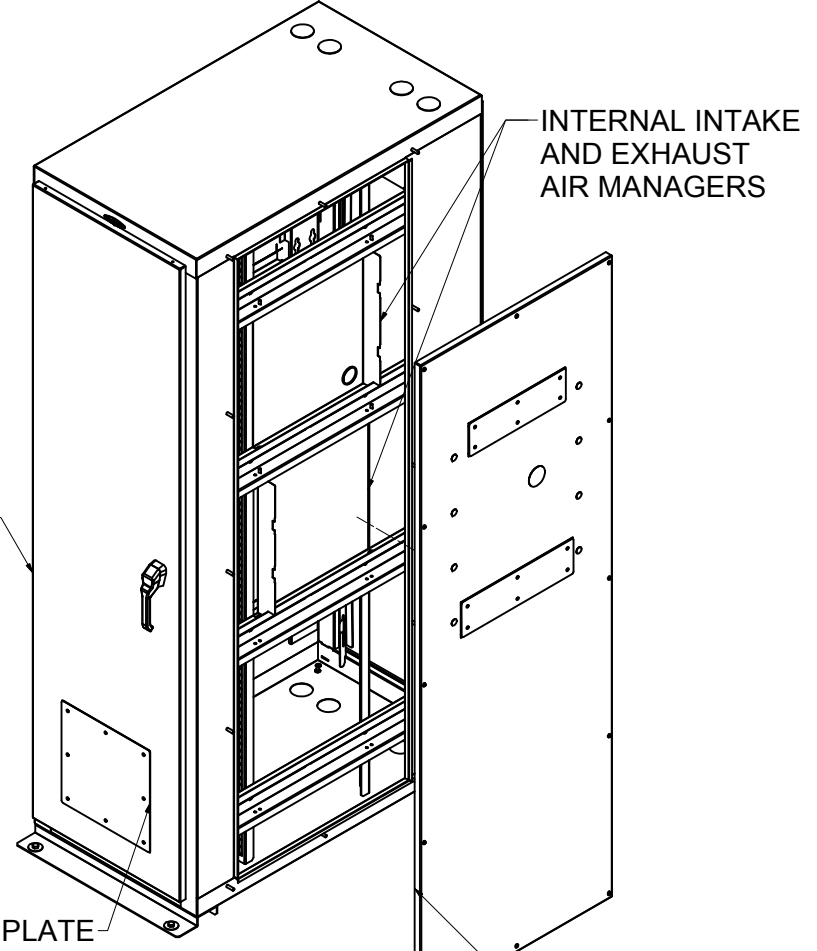
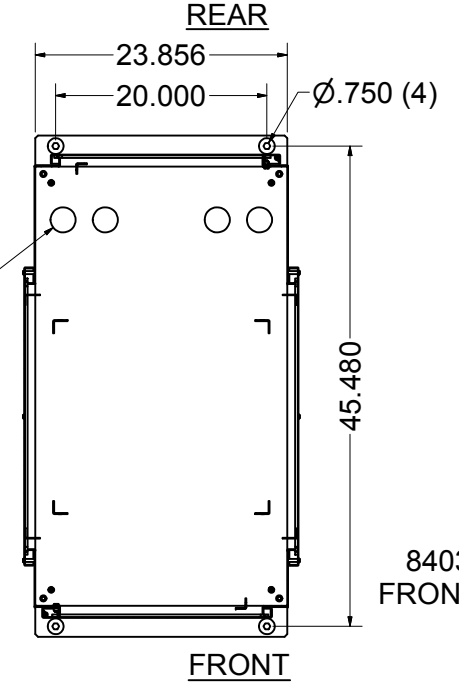
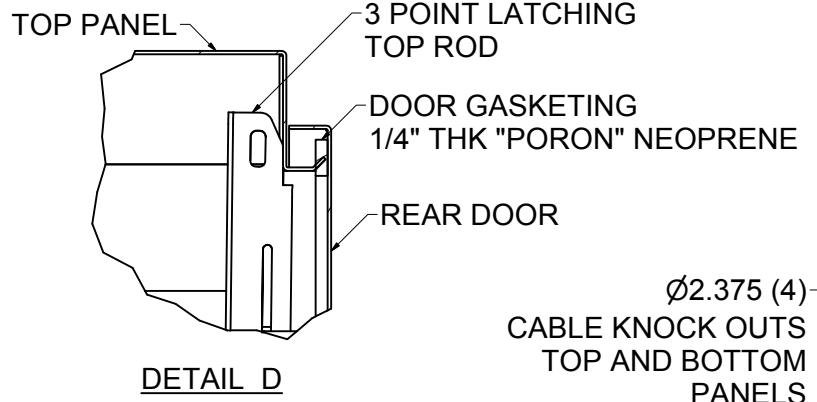
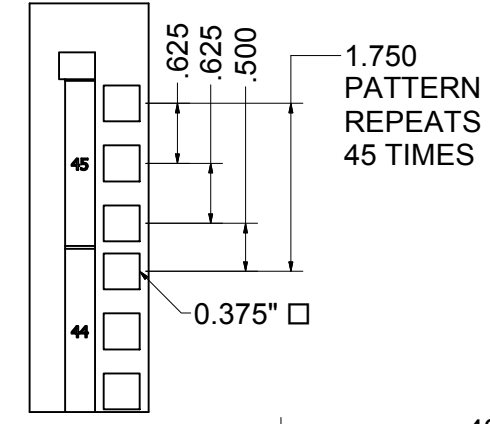


REVISION HISTORY		
REV	DATE	APPROVED
0	2/28/2012	MZ



FRONT INTAKE GLAND PLATE  
OPTIONAL NEMA-12 FILTER +FAN  
SOLD SEPARATELY  
AVAILABLE IN 230, 295, OR 368 CFM

8410-421N12A  
SCREW ON A/C  
SIDE PANEL FOR  
GL2500V/3500V  
4500V/6000V  
ONE SIDE ONLY.  
SOLID SCREW ON  
SIDE PANEL ON  
OTHER SIDE.

- SPECIFICATIONS:**
- RACK SPACES:** 19" E 310-E COMPLIANT, 3/8" SQ. HOLE w/ RMU LABELS.
  - WEIGHT CAPACITY:** 2000 LBS. (BOLTED TO FLOOR)
  - COLOR:** DURABLE BLACK TEXTURE POWDER COAT.
  - RATING:** NEMA-12
  - CONSTRUCTION:** #11 GAUGE ANCHOR PLATES  
#12 GAUGE MOUNTING RAILS  
#14 GAUGE WELDED BODY AND DOORS
  - HARDWARE:** PACKAGE OF QTY-50 METRIC 6mm SCREWS & CAGE NUTS INCLUDED.

EST. WEIGHT :  
N/A

INTERPRET DRAWING PER ASME Y14.5M-1994  
DIMENSIONAL LIMITS APPLY  
AFTER APPLICATION OF FINISH  
DRAWING NOT TO SCALE  
TOLERANCE UNLESS OTHERWISE NOTED:  
ANGULAR +/- .1"  
.XXXX +/- .010  
.XXX +/- .015  
.XX +/- .030  
.X FOR REF. ONLY

**NOTICE:**  
Use of this document is subject to a confidentiality and nondisclosure agreement with Great Lakes Case & Cabinet Co., Inc. (GLCC) and may not be reproduced, disclosed or utilized in whole or in part without prior written authorization from GLCC.

PART NUMBER:  
GL840N12-2442-SA  
QTY PER UNIT: 1  
MATERIAL TYPE:  
MATERIAL GAUGE:  
FINISH:

TITLE: 84"H x 24"W x 42"D NEMA12 ENCLOSURE WITH REMOVABLE A/C SIDE PANEL  
GREAT LAKES CASE & CABINET CO., INC.  
P.O. BOX 551 EDINBORO, PA 16412  
PHONE (814) 734-7303 FAX (814) 734-3907  
E-MAIL glcc@greatcabinets.com

DWG NO: GL840N12  
REV: 0  
SHEET: 1 OF 1