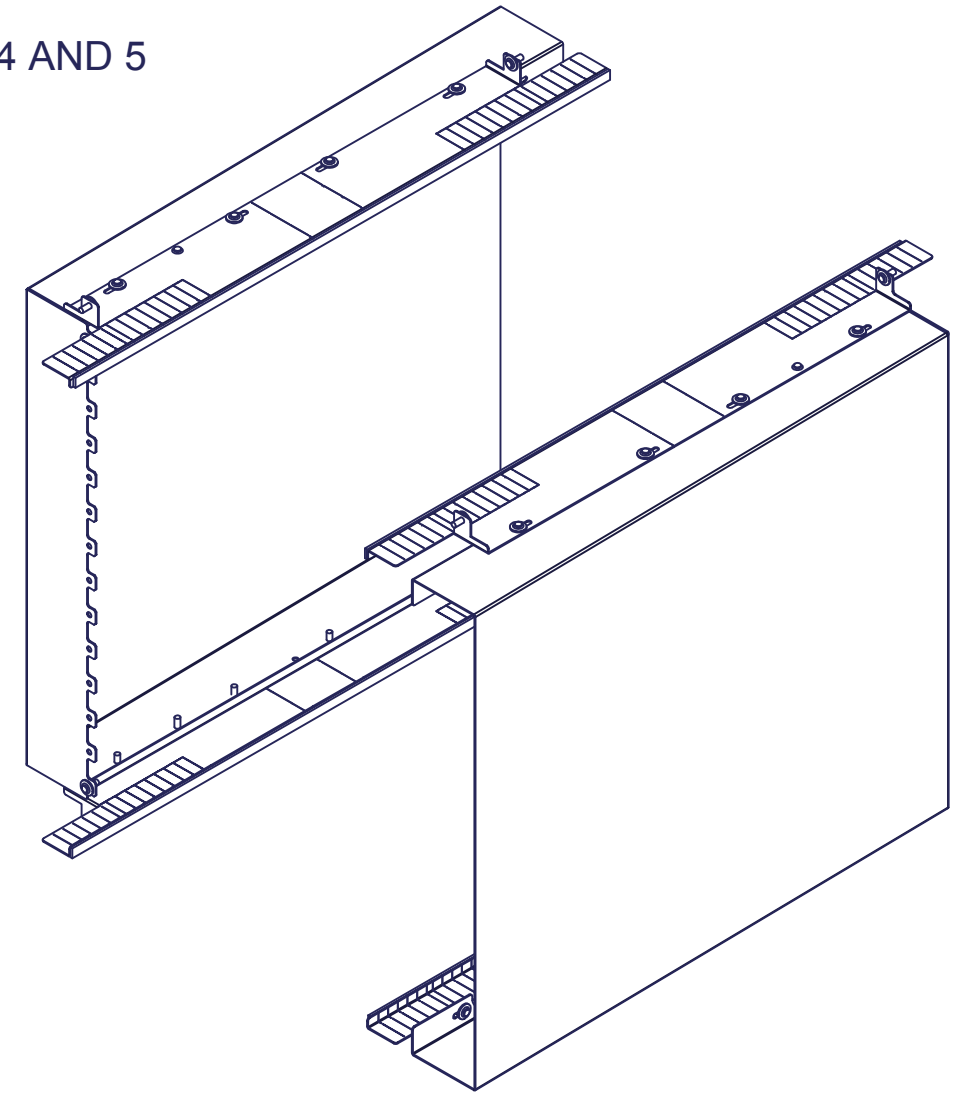
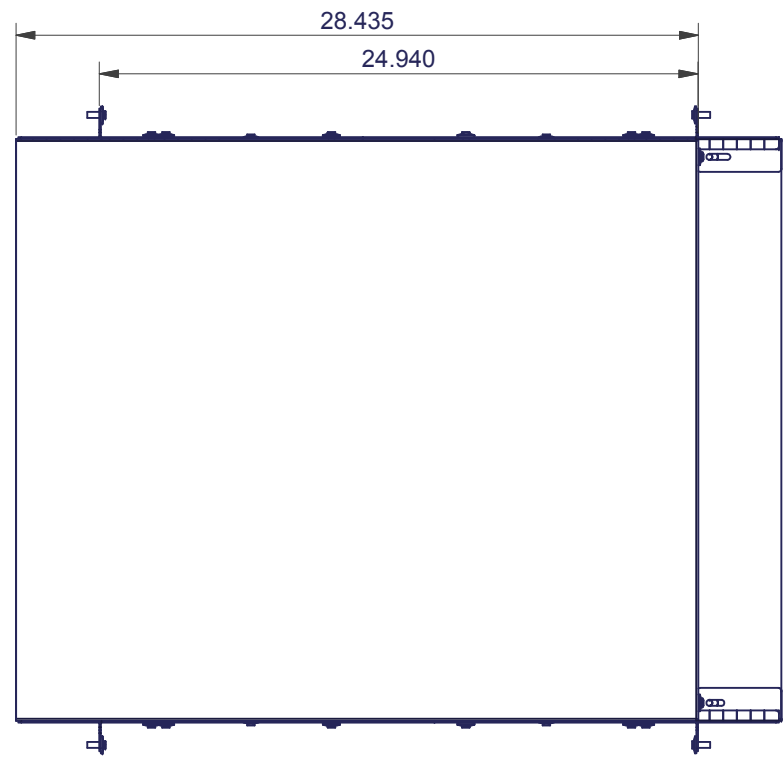
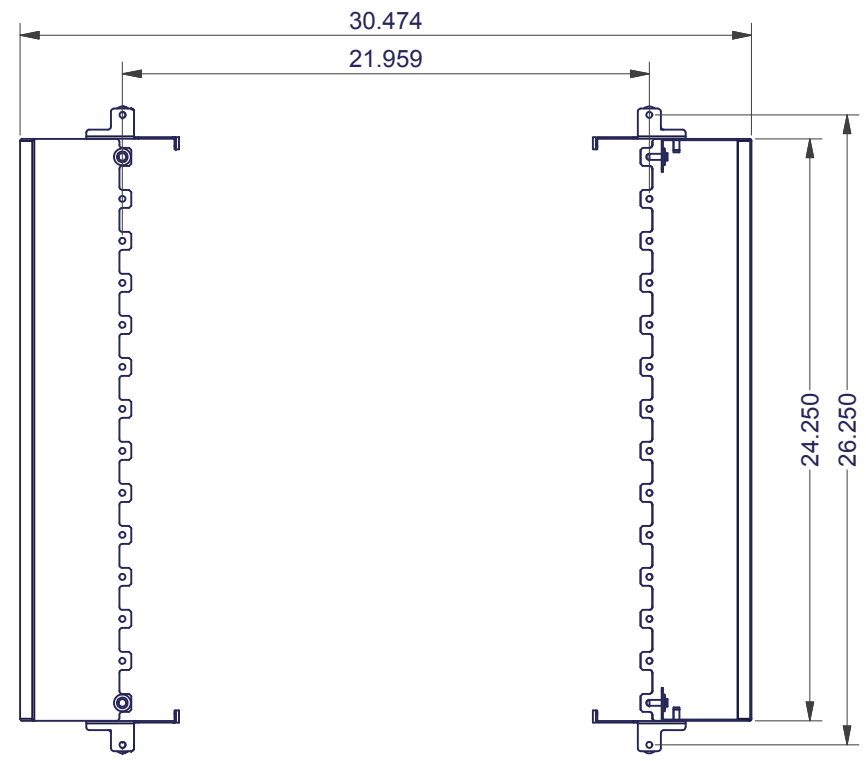
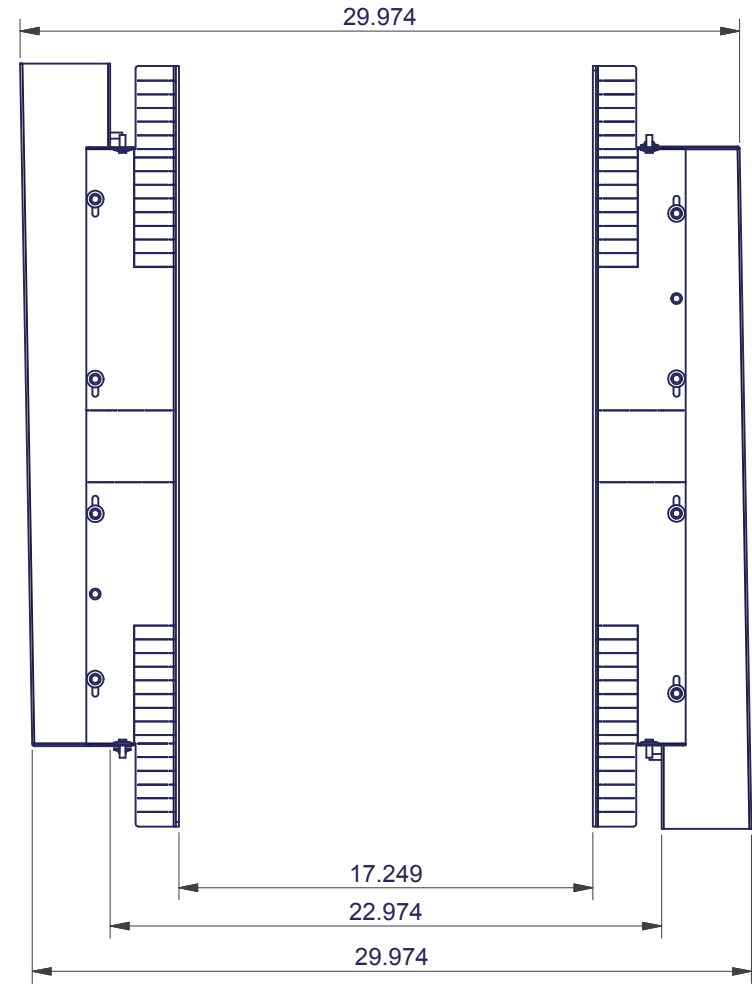


REVISION HISTORY			
REV	DESCRIPTION	DATE	APPROVED
0	ECO-03392	11/7/11	CD

Bill of Material						
ITEM	PART NUMBER	STOCK NUMBER	QTY	DESCRIPTION	FILE NAME	REVISION
1	H01-078	H01-078	2	SCREW, 10-32x1/2" PH PAN TYPE 23 BLACK OXIDE/WAX RoHS (SCR1032X500BLK)	H01-078.ipt	-
2			2	EN INTAKE BAFFLE - DETAIL/WELDMENT	I015059.iam	0
3			4	EN TOP / BOTTOM COVER	I015060.iam	0
4	30063008-05004D	H31-022	36	PANEL FASTENER, TUFLOK, ITW-FASTEX. OR EQUIV.	30063008-05004D.ipt	-

- TO INSTALL IN **42"D** EN ENCLOSURES: SEE SHEETS 2 AND 3
 - TO INSTALL IN **48"D** EN ENCLOSURES: SEE SHEETS 4 AND 5

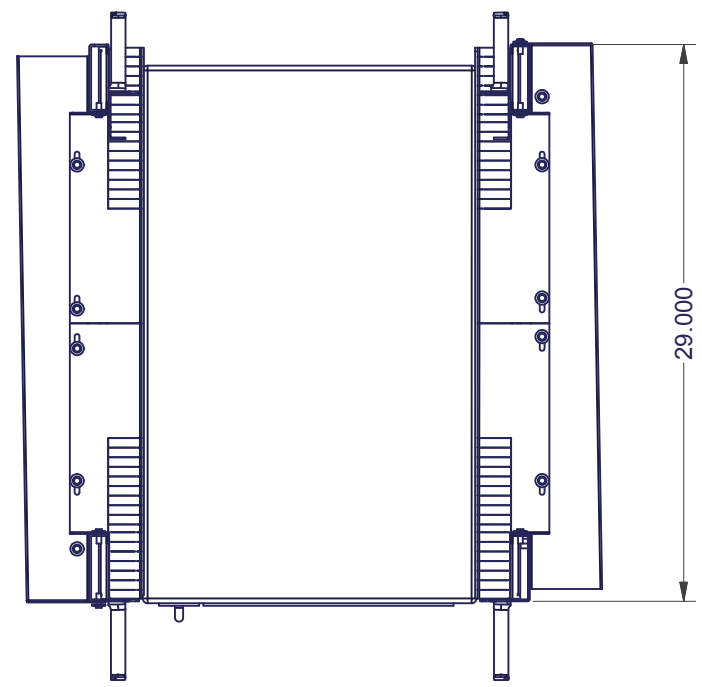
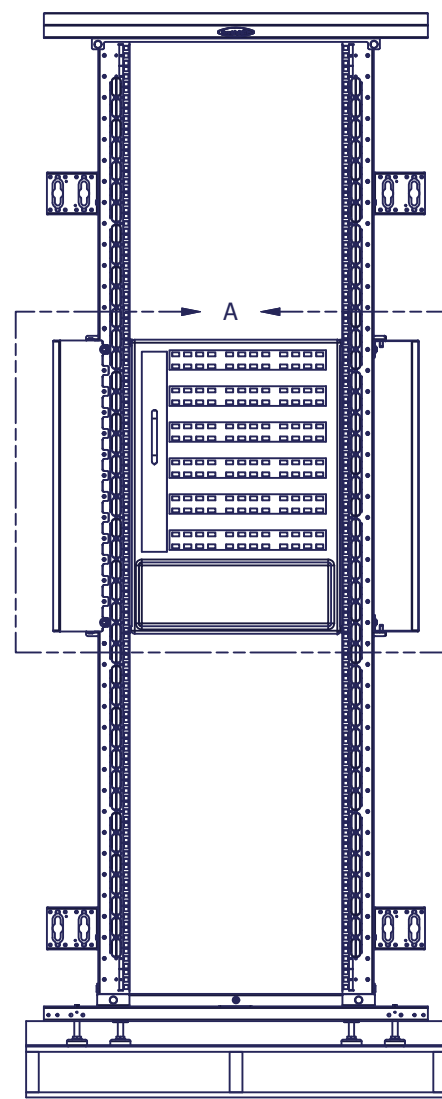


- NOTES:**
1. REFERENCE PURCHASE ORDER, SPECIAL INSTRUCTIONS MAY APPLY
 2. GLM DO NOT ASSEMBLE UNLESS OTHERWISE SPECIFIED
 3. CREATE HARDWARE PACK OF PLASTIC RIVETS AND #10-32 SCREWS
 4. INCLUDE A COPY OF THIS PRINT AS INSTRUCTIONS WITH EACH KIT
 5. BAG OR WRAP BAFFLES AND COVER AND PACKAGE TOGETHER WITH HARDWARE PACK AND INSTRUCTIONS

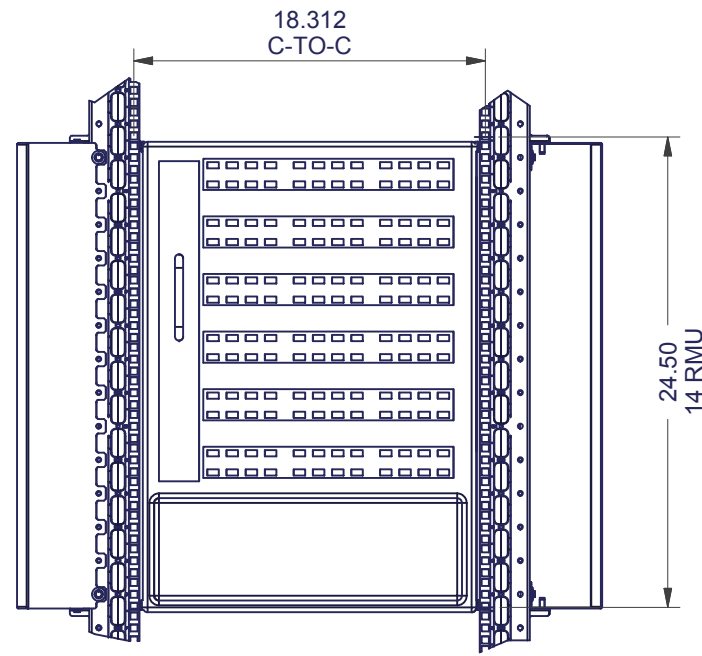
INTERPRET DRAWING PER ASME Y14.5M-1994 DIMENSIONAL LIMITS APPLY AFTER APPLICATION OF FINISH DRAWING NOT TO SCALE TOLERANCE UNLESS OTHERWISE NOTED: ANGULAR +/- .1" .XXXX +/- .010 .XXX +/- .015 .XX +/- .030 .X FOR REF. ONLY	NOTICE: Use of this document is subject to a confidentiality and nondisclosure agreement with Great Lakes Case & Cabinet Co., Inc. (GLCC) and may not be reproduced, disclosed or utilized in whole or in part without prior written authorization from GLCC.	PART NUMBER: ENSAB14D	TITLE: 14 RMU EN INTAKE / EXHAUST BAFFLE KIT FOR 6509-E CISCO SWITCH
		QTY PER UNIT: 1	MATERIAL TYPE: -
UNLESS OTHERWISE SPECIFIED ALL DIMENSIONS ARE IN INCHES	THIRD ANGLE PROJECTION	FINISH: -	GREAT LAKES CASE & CABINET CO., INC. P.O. BOX 551 EDINBORO, PA 16412 PHONE (814) 734-7303 FAX (814) 734-3907 E-MAIL glcc@greatcabinets.com
		DRAWN DATE MZ 11/1/2011	DWG NO: I015055
		CHECKED & APP. DATE WSS 11/1/2011	REV 0
			SHEET: 1 OF 5

SWITCH AND BAFFLE SHOWN ON EN3242 ENCLOSURE

- SWITCH AND ENCLOSURE SHOWN FOR REFERENCE ONLY -



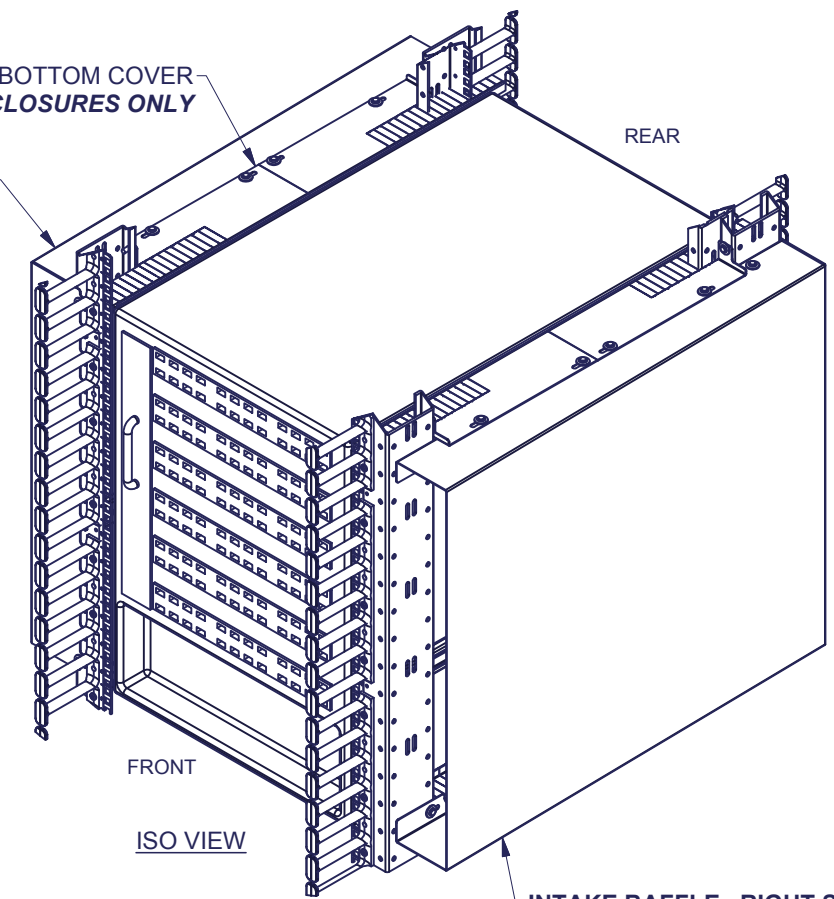
DETAIL A
TOP VIEW



DETAIL A
FRONT VIEW

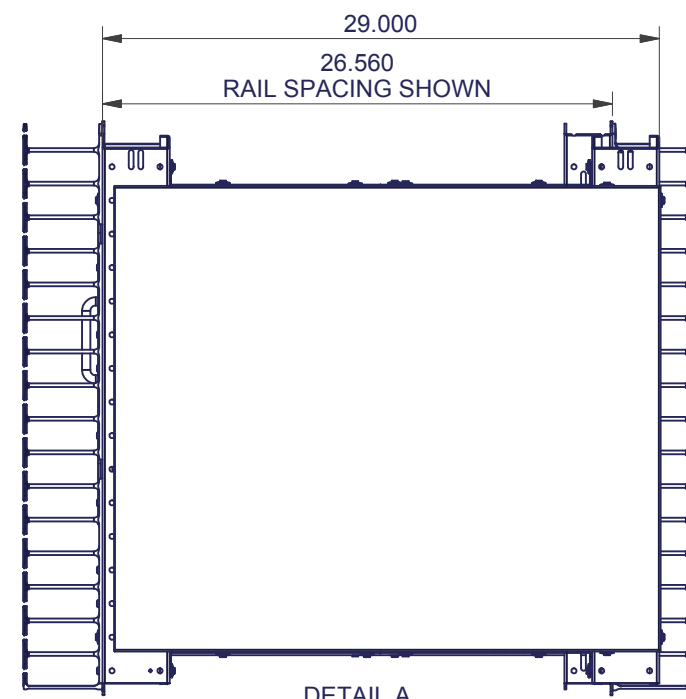
NOTE: MIDDLE SECTION OF TOP/BOTTOM COVER
REMOVED ON 42" D EN ENCLOSURES ONLY

EXHAUST BAFFLE, LEFT SIDE:
BAFFLE ORIENTED WITH
CLOSED FACE TOWARD
FRONT OF ENCLOSURE



ISO VIEW

INTAKE BAFFLE, RIGHT SIDE:
BAFFLE ORIENTED WITH
CLOSED FACE TOWARD
REAR OF ENCLOSURE



DETAIL A
SIDE VIEW

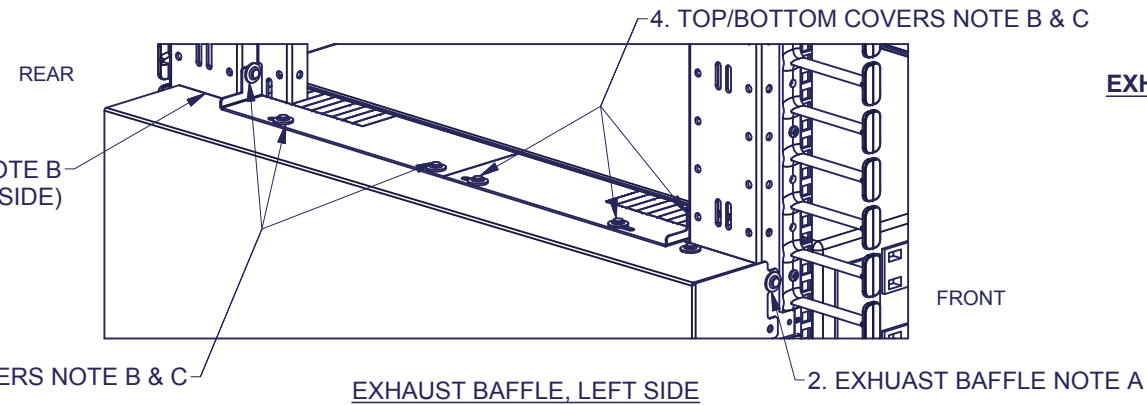
SEE SHEETS 2 AND 3 FOR INSTALLATION NOTES IN 42" D EN ENCLOSURES:

INTERPRET DRAWING PER ASME Y14.5M-1994 DIMENSIONAL LIMITS APPLY AFTER APPLICATION OF FINISH DRAWING NOT TO SCALE TOLERANCE UNLESS OTHERWISE NOTED: ANGULAR +/- .1" .XXXX +/- .010 .XXX +/- .015 .XX +/- .030 .X FOR REF. ONLY	NOTICE:		PART NUMBER: ENSAB14D	TITLE 14 RMU EN INTAKE / EXHAUST BAFFLE KIT FOR 6509-E CISCO SWITCH
	Use of this document is subject to a confidentiality and nondisclosure agreement with Great Lakes Case & Cabinet Co., Inc. (GLCC) and may not be reproduced, disclosed or utilized in whole or in part without prior written authorization from GLCC.		QTY PER UNIT: 1	GREAT LAKES CASE & CABINET CO., INC. P.O. BOX 551 EDINBORO, PA 16412 PHONE (814) 734-7303 FAX (814) 734-3907 E-MAIL glcc@greatcabinets.com
			MATERIAL TYPE: -	
			MATERIAL GAUGE: -	
		FINISH: -	DRAWN DATE MZ 11/1/2011	CHECKED & APP. DATE WSS 11/1/2011
UNLESS OTHERWISE SPECIFIED ALL DIMENSIONS ARE IN INCHES		DWG NO: 1015055		REV 0



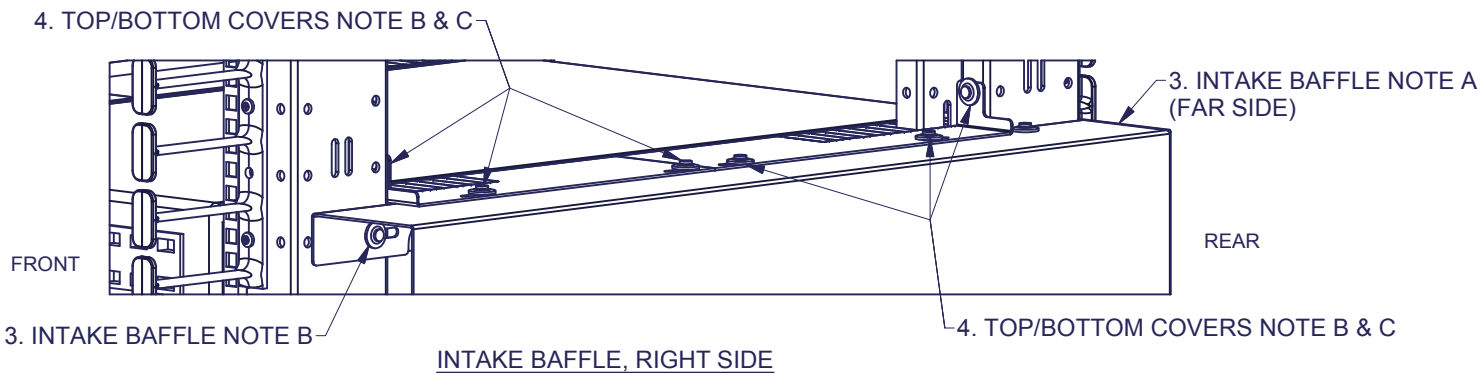
INSTRUCTIONS TO INSTALL ENSAB14D BAFFLE IN EN3242 ENCLOSURE:

1. BAFFLE MUST BE ALIGNED VERTICALLY AT THE SAME RU PLACEMENT OF EQUIPMENT
 - THE **LEFT** SIDE BAFFLE IS THE **EXHAUST** SIDE (CLOSED FACE TOWARD THE FRONT OF ENCLOSURE)
 - THE **RIGHT** SIDE BAFFLE IS THE **INTAKE** SIDE (CLOSED FACE TOWARD THE REAR OF ENCLOSURE)



EXHAUST BAFFLE, LEFT SIDE:
BAFFLE ORIENTED WITH CLOSED FACE TOWARD FRONT OF ENCLOSURE

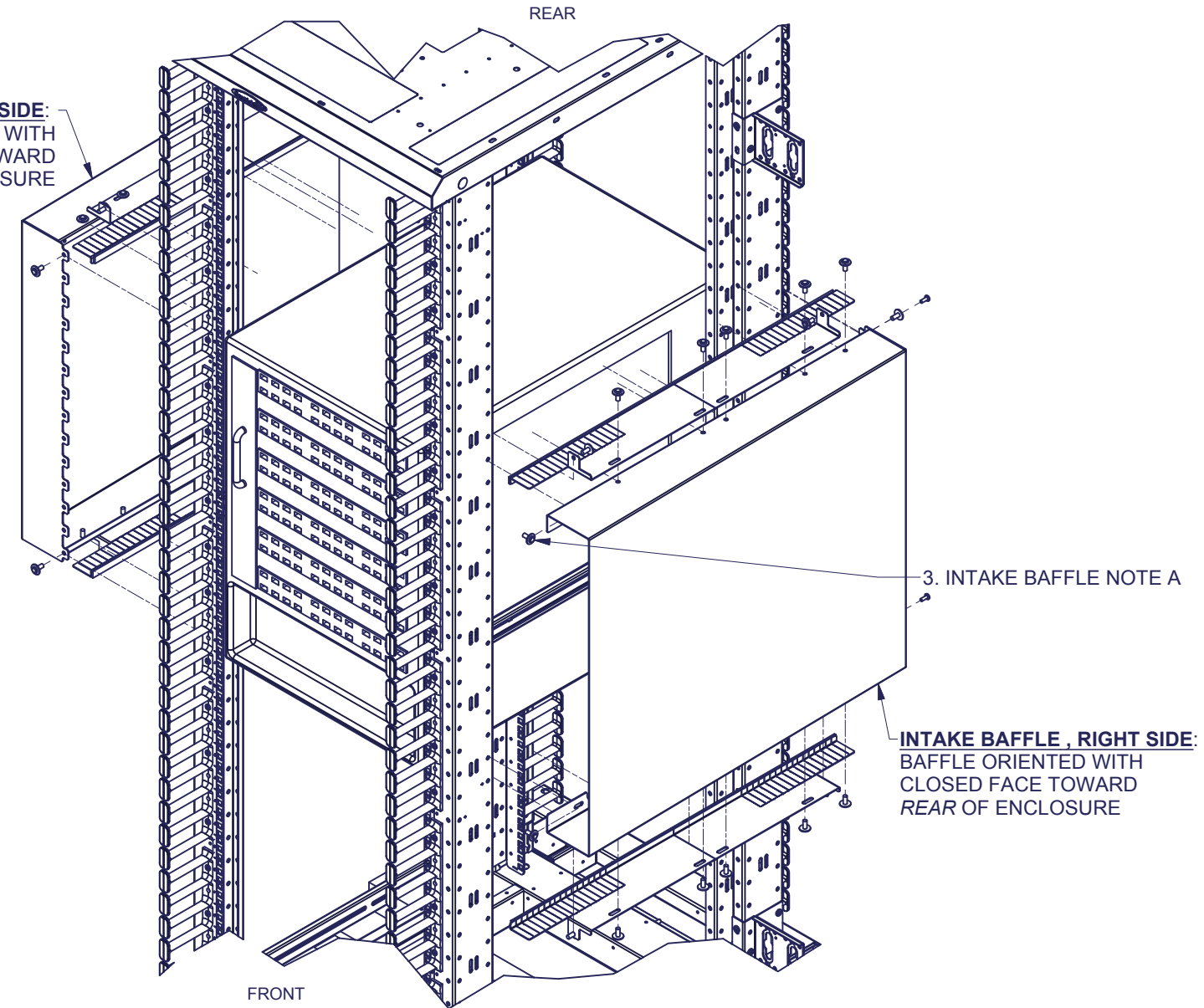
2. EXHAUST BAFFLE (LEFT SIDE):
 - A. USE QTY. 2 PLASTIC RIVETS TO ATTACH THE **CLOSED** FACE OF THE BAFFLE TO THE **FRONT, OUTSIDE** OF THE FRONT VERTICAL POST
 - B. USE QTY. 2 PLASTIC RIVETS TO FIX THE **OPPOSITE, OPEN** SIDE OF THE BAFFLE TO THE **SIDE** OF THE REAR VERTICAL POST



INTAKE BAFFLE, RIGHT SIDE:
BAFFLE ORIENTED WITH CLOSED FACE TOWARD REAR OF ENCLOSURE

3. INTAKE BAFFLE (RIGHT SIDE):
 - A. USE QTY. 2 PLASTIC RIVETS TO ATTACH THE **OPEN** SIDE OF BAFFLE TO THE **SIDE** OF THE FRONT VERTICAL POST
 - B. USE QTY. 2 #10-32 SCREWS TO FIX THE **CLOSED** FACE OF THE BAFFLE TO THE **OUTSIDE FACE** OF THE REAR VERTICAL POST
 - NOTE: PLASTIC FINGERS MAY NEED TO BE REMOVED ON THE RIGHT REAR POST AND THEN RE-INSTALLED WITH #10-32 SCREWS AFTER BAFFLE IS IN LOCATION

4. INSTALL TOP /BOTTOM COVERS ON BOTH SIDES:
 - A. BREAK MIDDLE SECTION OUT FROM EACH TOP/ BOTTOM BAFFLE COVER CREATING 8 SECTIONS, ALL WILL BE SYMMETRICAL (*42"D EN ENCLOSURES ONLY*)
 - B. PIVOT TOP/BOTTOM COVER SECTION BEHIND FRONT POSTS AND USE 3 PLASTIC RIVETS TO ATTACH
 - INSTALL QTY. 1 PLASTIC RIVET INTO REAR(INSIDE) FACE OF VERTICAL POST
 - INSTALL QTY. 2 PLASTIC RIVETS INTO TOP/BOTTOM FACE OF BAFFLE PER SECTION
 - C. REPEAT STEP 2 IN TWO PLACES ON THE TOP AND BOTTOM, FOR BOTH INTAKE AND EXHAUST BAFFLES
 - NOTE: WHEN INSTALLING (4) SECTIONS IN THE REAR OF ENCLOSURE, SECTIONS MAY NEED TO NOTCHED TO ACCOMODATE FOR YOUR SPECIFIC RAIL PLACEMENT



SEE SHEETS 2 AND 3 FOR INSTALLATION NOTES IN **42"D EN ENCLOSURES:**
- SWITCH AND ENCLOSURE SHOWN FOR REFERENCE ONLY -

THIRD ANGLE PROJECTION	INTERPRET DRAWING PER ASME Y14.5M-1994 DIMENSIONAL LIMITS APPLY AFTER APPLICATION OF FINISH DRAWING NOT TO SCALE TOLERANCE UNLESS OTHERWISE NOTED: ANGULAR +/- .1° .XXXX +/- .010 .XXX +/- .015 .XX +/- .030 X FOR REF. ONLY	NOTICE: Use of this document is subject to a confidentiality and nondisclosure agreement with Great Lakes Case & Cabinet Co., Inc. (GLCC) and may not be reproduced, disclosed or utilized in whole or in part without prior written authorization from GLCC.	PART NUMBER: ENSAB14D	TITLE 14 RMU EN INTAKE / EXHAUST BAFFLE KIT FOR 6509-E CISCO SWITCH
	UNLESS OTHERWISE SPECIFIED ALL DIMENSIONS ARE IN INCHES		QTY PER UNIT: 1 MATERIAL TYPE: MATERIAL GAUGE: FINISH:	GREAT LAKES CASE & CABINET CO., INC. P.O. BOX 551 EDINBORO, PA 16412 PHONE (814) 734-7303 FAX (814) 734-3907 E-MAIL glcc@greatcabinets.com
			DRAWN: MZ CHECKED & APP: WSS DATE: 11/1/2011 DATE: 11/15/11	DWG NO: 1015055 REV: 0 SHEET: 3 OF 5

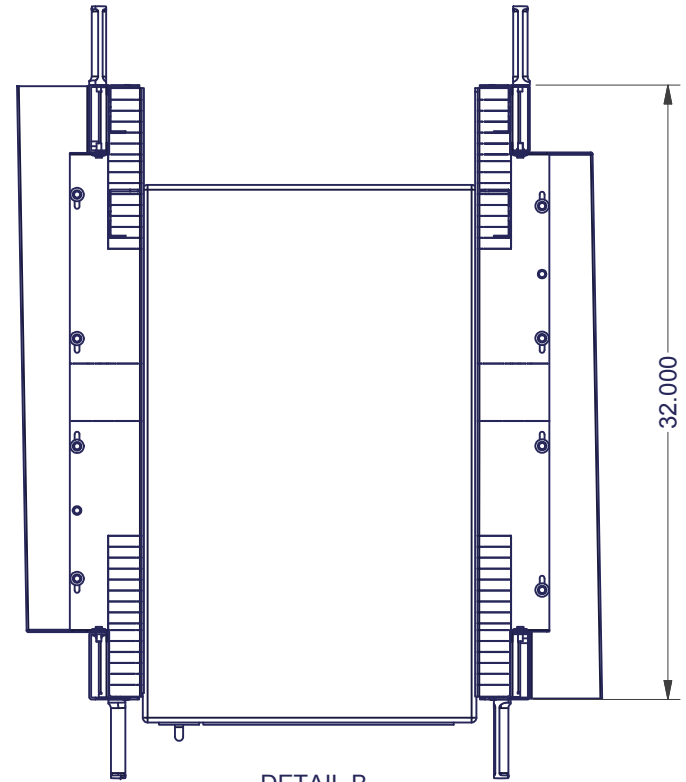
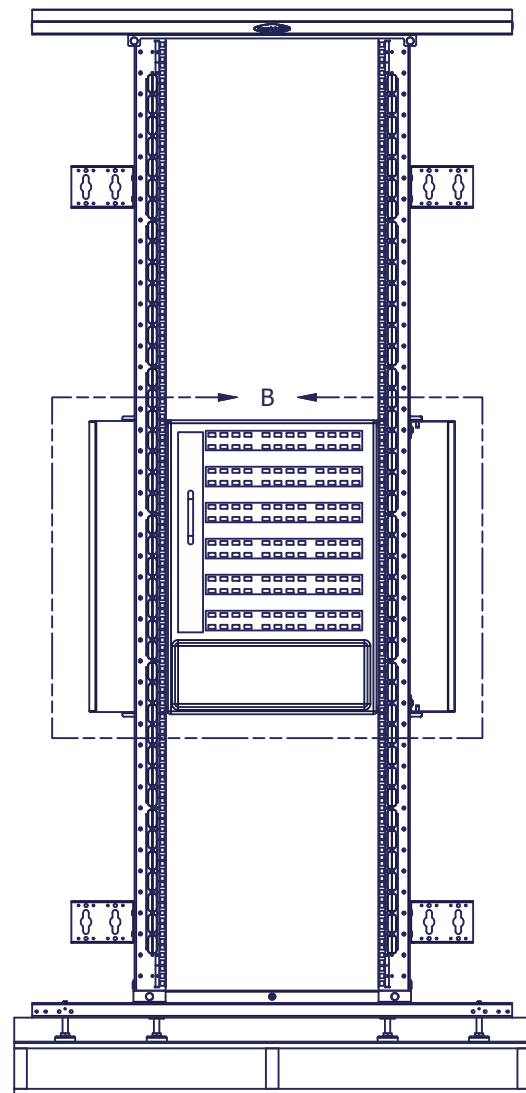
SWITCH AND BAFFLE SHOWN ON EN4048 ENCLOSURE

- SWITCH AND ENCLOSURE SHOWN FOR REFERENCE ONLY -

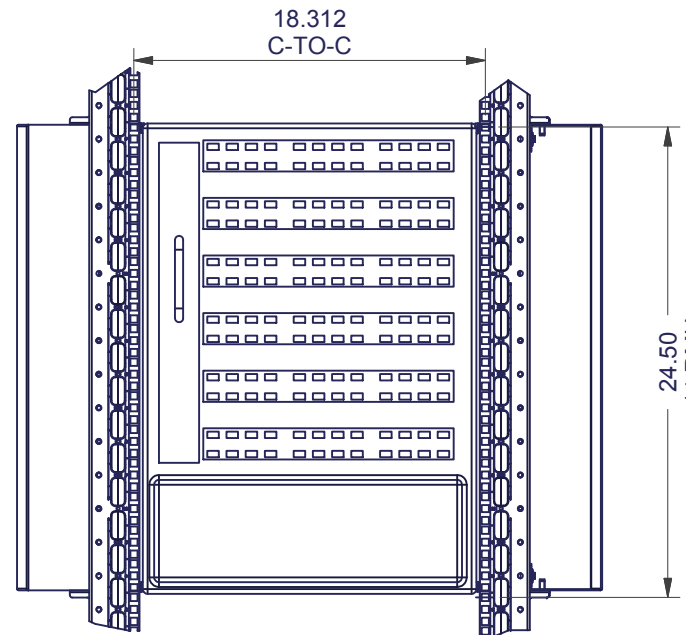
NOTE: DO NOT REMOVE MIDDLE SECTION OF TOP/BOTTOM COVER ON 48"D EN ENCLOSURE ONLY

EXHAUST BAFFLE, LEFT SIDE:
BAFFLE ORIENTED WITH CLOSED FACE TOWARD FRONT OF ENCLOSURE

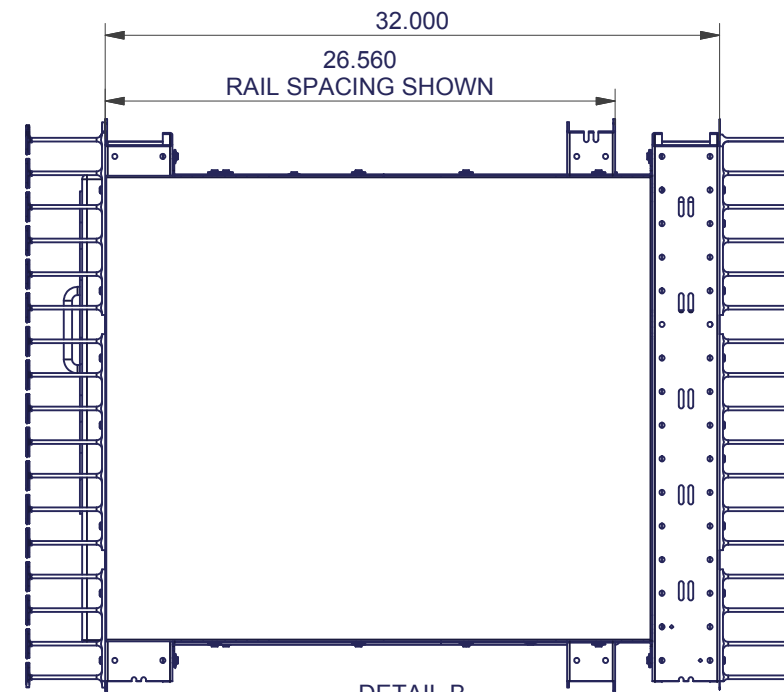
INTAKE BAFFLE, RIGHT SIDE:
BAFFLE ORIENTED WITH CLOSED FACE TOWARD REAR OF ENCLOSURE



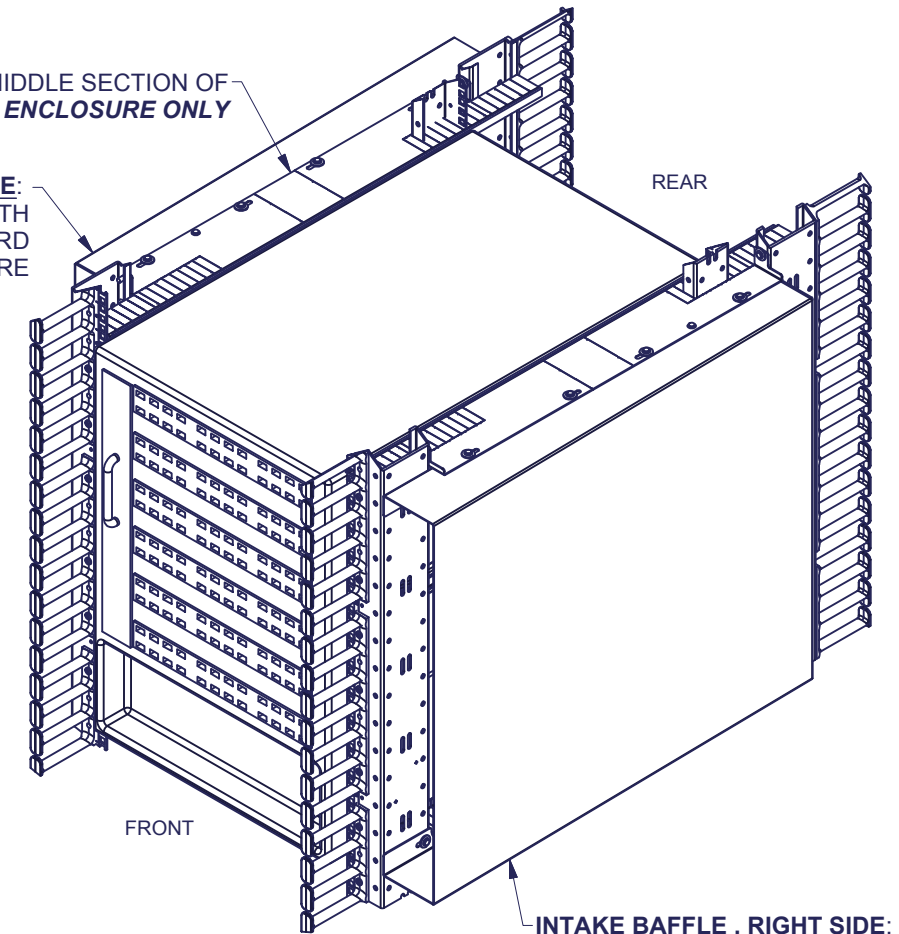
DETAIL B
TOP VIEW



DETAIL B
FRONT VIEW



DETAIL B
SIDE VIEW



SEE SHEETS 4 AND 5 FOR INSTALLATION NOTES IN 48"D EN ENCLOSURES:

INTERPRET DRAWING PER ASME Y14.5M-1994
DIMENSIONAL LIMITS APPLY
AFTER APPLICATION OF FINISH
DRAWING NOT TO SCALE
TOLERANCE UNLESS OTHERWISE NOTED:
ANGULAR +/- 1°
.XXXX +/- .010
.XXX +/- .015
.XX +/- .030
.X FOR REF. ONLY

NOTICE:

Use of this document is subject to a confidentiality and nondisclosure agreement with Great Lakes Case & Cabinet Co., Inc. (GLCC) and may not be reproduced, disclosed or utilized in whole or in part without prior written authorization from GLCC.

PART NUMBER:
ENSAB14D
QTY PER UNIT: 1
MATERIAL TYPE:
MATERIAL GAUGE:
FINISH:
DRAWN MZ DATE 11/1/2011
CHECKED & APP. WSS DATE 11/1/2011

TITLE
14 RMU EN INTAKE / EXHAUST BAFFLE KIT FOR 6509-E CISCO SWITCH
GREAT LAKES CASE & CABINET CO., INC.
P.O. BOX 551 EDINBORO, PA 16412
PHONE (814) 734-7303 FAX (814) 734-3907
E-MAIL glcc@greatcabinets.com



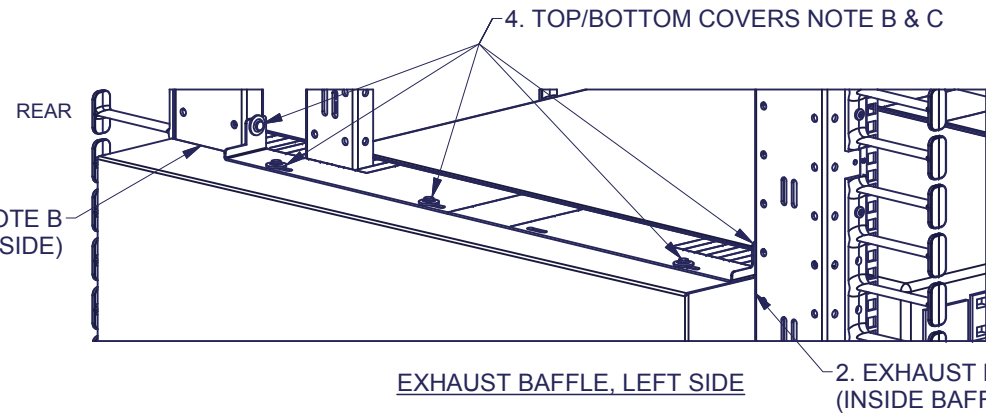
THIRD ANGLE PROJECTION

UNLESS OTHERWISE SPECIFIED ALL DIMENSIONS ARE IN INCHES

DWG NO: **1015055** REV: **0** SHEET: 4 OF 5

INSTRUCTIONS TO INSTALL ENSAB14D BAFFLE IN EN4048 ENCLOSURE:

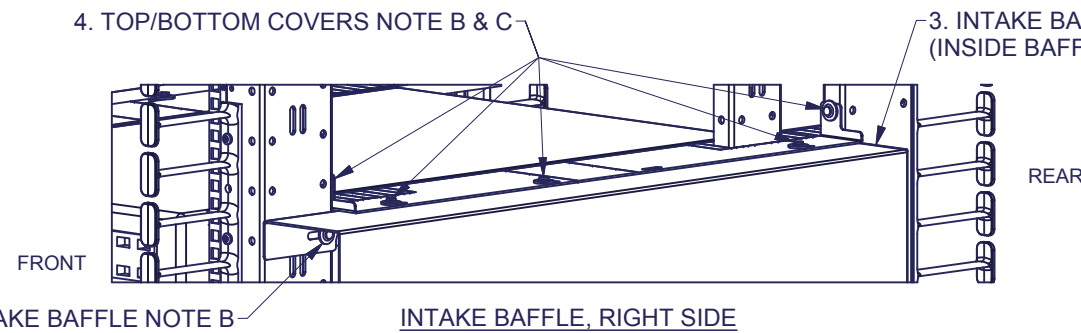
1. BAFFLE MUST BE ALIGNED VERTICALLY AT THE SAME RU PLACEMENT OF EQUIPMENT
 - THE **LEFT** SIDE BAFFLE IS THE **EXHAUST** SIDE (CLOSED FACE TOWARD THE FRONT OF ENCLOSURE)
 - THE **RIGHT** SIDE BAFFLE IS THE **INTAKE** SIDE (CLOSED FACE TOWARD THE REAR OF ENCLOSURE)



EXHAUST BAFFLE, LEFT SIDE:
BAFFLE ORIENTED WITH
CLOSED FACE TOWARD
FRONT OF ENCLOSURE

2. EXHAUST BAFFLE (LEFT SIDE):

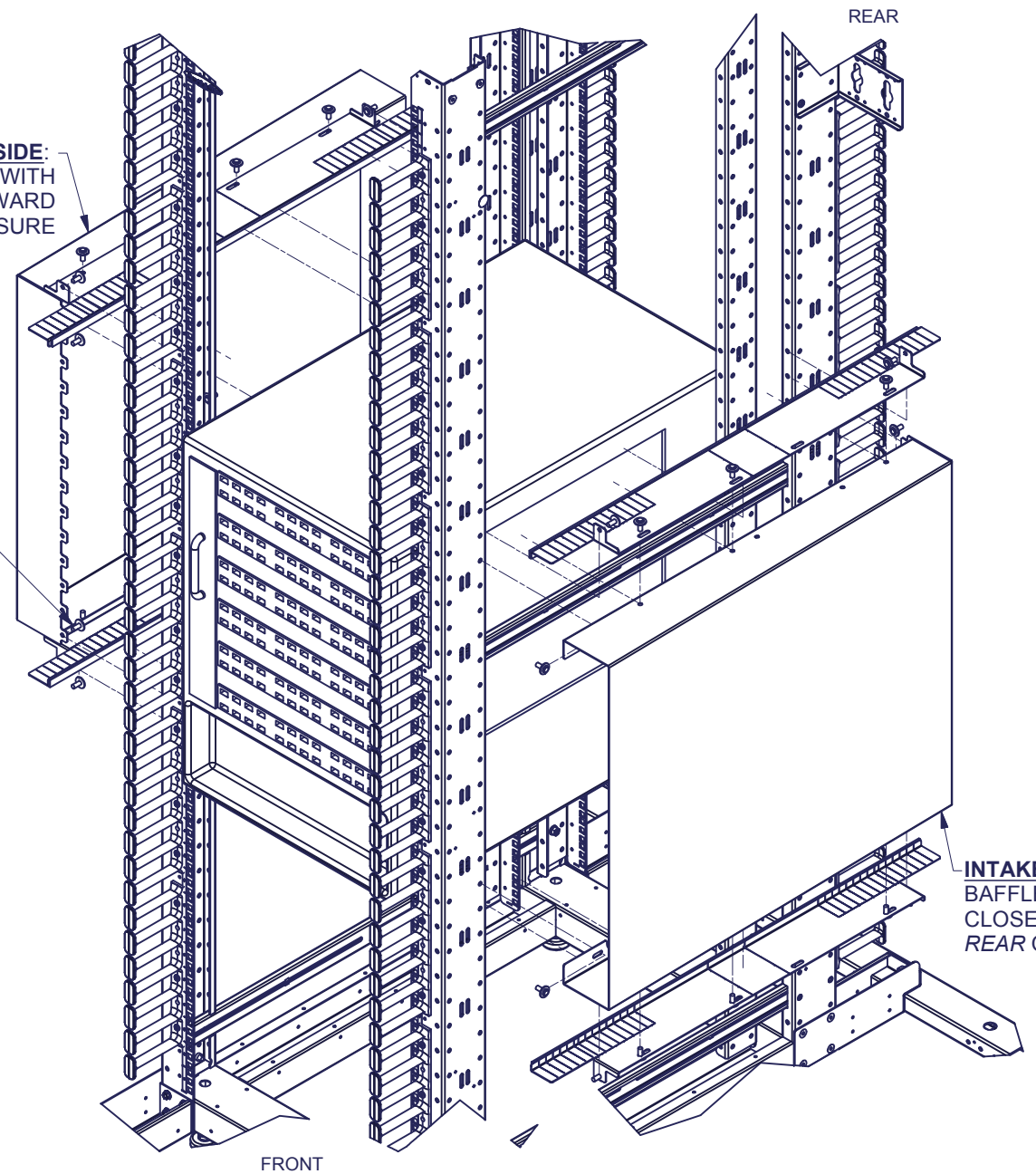
- A. USE QTY. 2 PLASTIC RIVETS TO ATTACH THE **CLOSED** FACE OF THE BAFFLE TO THE **REAR INSIDE FACE** OF THE FRONT VERTICAL POST
- B. USE QTY. 2 PLASTIC RIVETS TO FIX THE **OPPOSITE, OPEN** SIDE OF THE BAFFLE TO THE **SIDE** OF THE REAR VERTICAL POST



2. EXHAUST SIDE NOTE A
(INSIDE)

3. INTAKE BAFFLE (RIGHT SIDE):

- A. USE QTY. 2 PLASTIC RIVETS TO ATTACH THE **OPEN** SIDE OF BAFFLE TO THE **SIDE** OF THE FRONT VERTICAL POST
- B. USE QTY. 2 PLASTIC RIVETS TO FIX THE **CLOSED** FACE OF THE BAFFLE TO THE **INSIDE FACE** OF THE REAR VERTICAL POST



INTAKE BAFFLE, RIGHT SIDE:
BAFFLE ORIENTED WITH
CLOSED FACE TOWARD
REAR OF ENCLOSURE

4. INSTALL TOP /BOTTOM COVERS ON BOTH SIDES:

- A. **DO NOT** BREAK MIDDLE SECTION OUT FROM ANY TOP/ BOTTOM BAFFLE COVERS
ALL PARTS ARE SYMMETRICAL
- B. PIVOT TOP/BOTTOM COVER BETWEEN FRONT AND REAR POSTS AND USE 5 PLASTIC RIVETS PER COVER TO INSTALL INTO PLACE
 - INSTALL QTY. 2 PLASTIC RIVET INTO REAR(INSIDE) FACE OF VERTICAL POSTS
 - INSTALL QTY. 3 PLASTIC RIVETS INTO TOP/BOTTOM FACE OF BAFFLE
- C. REPEAT STEP 2 ON THE TOP AND BOTTOM OF EACH INTAKE AND EXHAUST BAFFLES
 - NOTE: THE REAR PORTION OF ALL COVERS MAY NEED TO BE NOTCHED TO ACCOMMODATE FOR YOUR SPECIFIC RAIL PLACEMENT

SEE SHEETS 4 AND 5 FOR INSTALLATION NOTES IN **48"D** EN ENCLOSURES:
- SWITCH AND ENCLOSURE SHOWN FOR REFERENCE ONLY -

INTERPRET DRAWING PER ASME Y14.5M-1994 DIMENSIONAL LIMITS APPLY AFTER APPLICATION OF FINISH DRAWING NOT TO SCALE TOLERANCE UNLESS OTHERWISE NOTED: ANGULAR +/- .1" .XXXX +/- .010 .XXX +/- .015 .XX +/- .030 X FOR REF. ONLY	NOTICE:		PART NUMBER: ENSAB14D	TITLE 14 RMU EN INTAKE / EXHAUST BAFFLE KIT FOR 6509-E CISCO SWITCH
	Use of this document is subject to a confidentiality and nondisclosure agreement with Great Lakes Case & Cabinet Co., Inc. (GLCC) and may not be reproduced, disclosed or utilized in whole or in part without prior written authorization from GLCC.		QTY PER UNIT: 1	GREAT LAKES CASE & CABINET CO., INC. P.O. BOX 551 EDINBORO, PA 16412 PHONE (814) 734-7303 FAX (814) 734-3907 E-MAIL glcc@greatcabinets.com
			MATERIAL TYPE: -	
			MATERIAL GAUGE: -	
UNLESS OTHERWISE SPECIFIED ALL DIMENSIONS ARE IN INCHES		FINISH: -	DRAWN MZ	DATE 11/1/2011
THIRD ANGLE PROJECTION		CHECKED & APP. WSS	DATE 11/16/11	DWG NO: 1015055
				REV 0
				SHEET: 5 OF 5